



# VECTOR

## 4 STROKE OUTBOARD SERIES

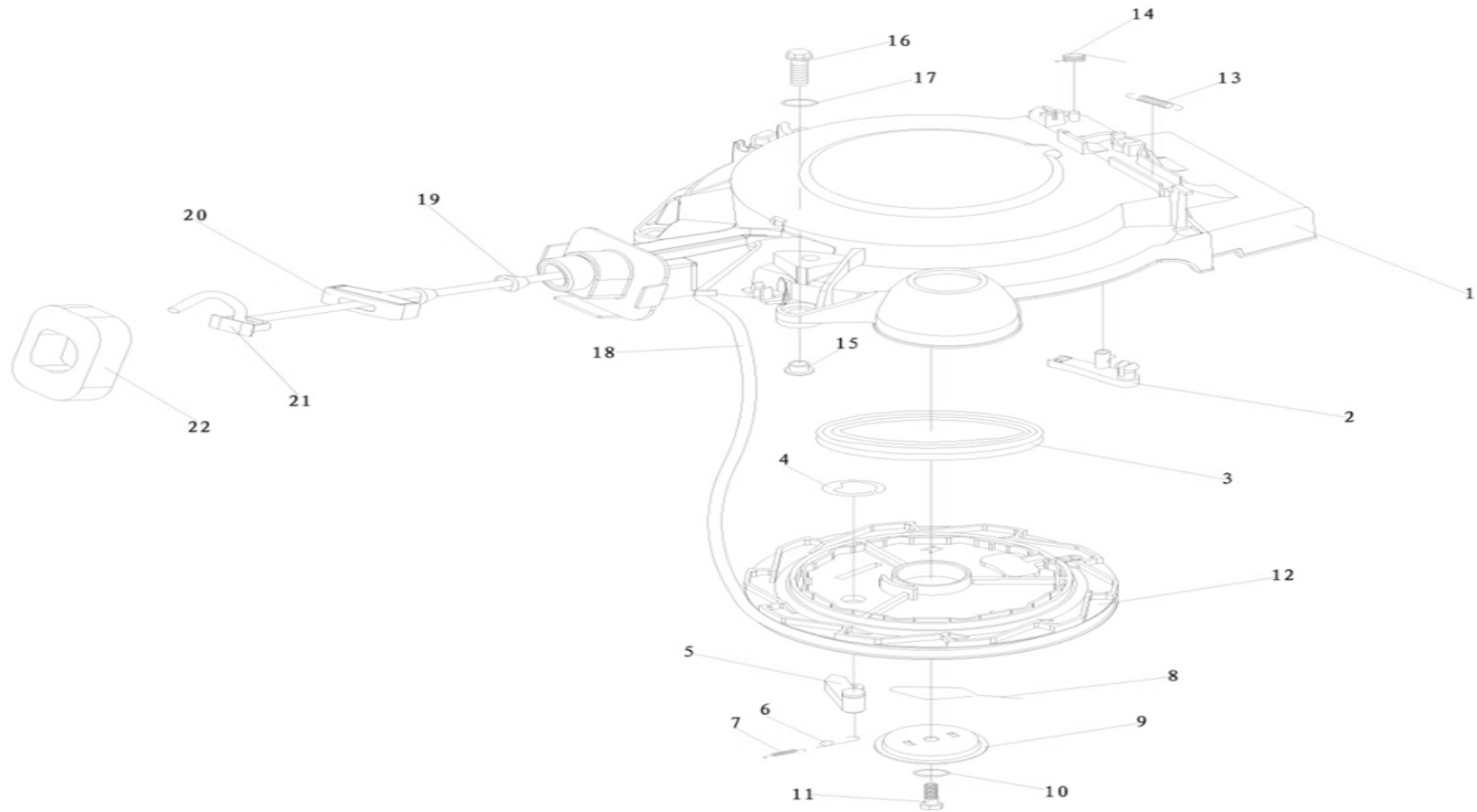
### Vector F8 / 9.9 Parts Catalogue

◆This catalog is for spare parts orders - please refer to the exploded diagrams and respective part reference numbers.

◆The manufacturer reserves the right to make modifications or improvements to the products and parts without prior notice (E&OE)

1	Starter Components
2	Power Head
3	Lower Cowling
4	Tiller Control
5	Lower Unit
6	Steering Tube
7	Valve Train
8	Crankshaft Assembly
9	Mounting Bracket

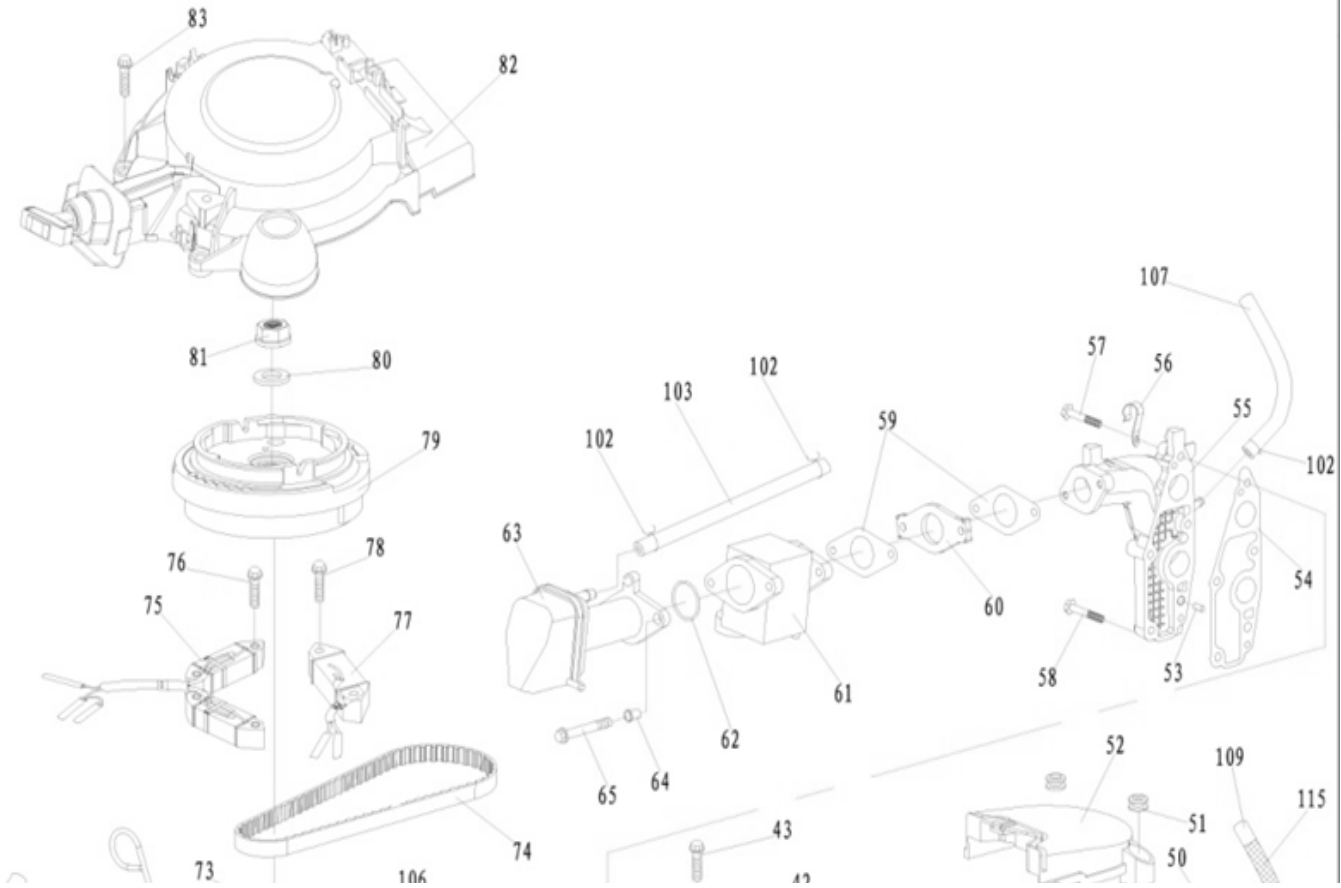
# STARTER COMPONENTS

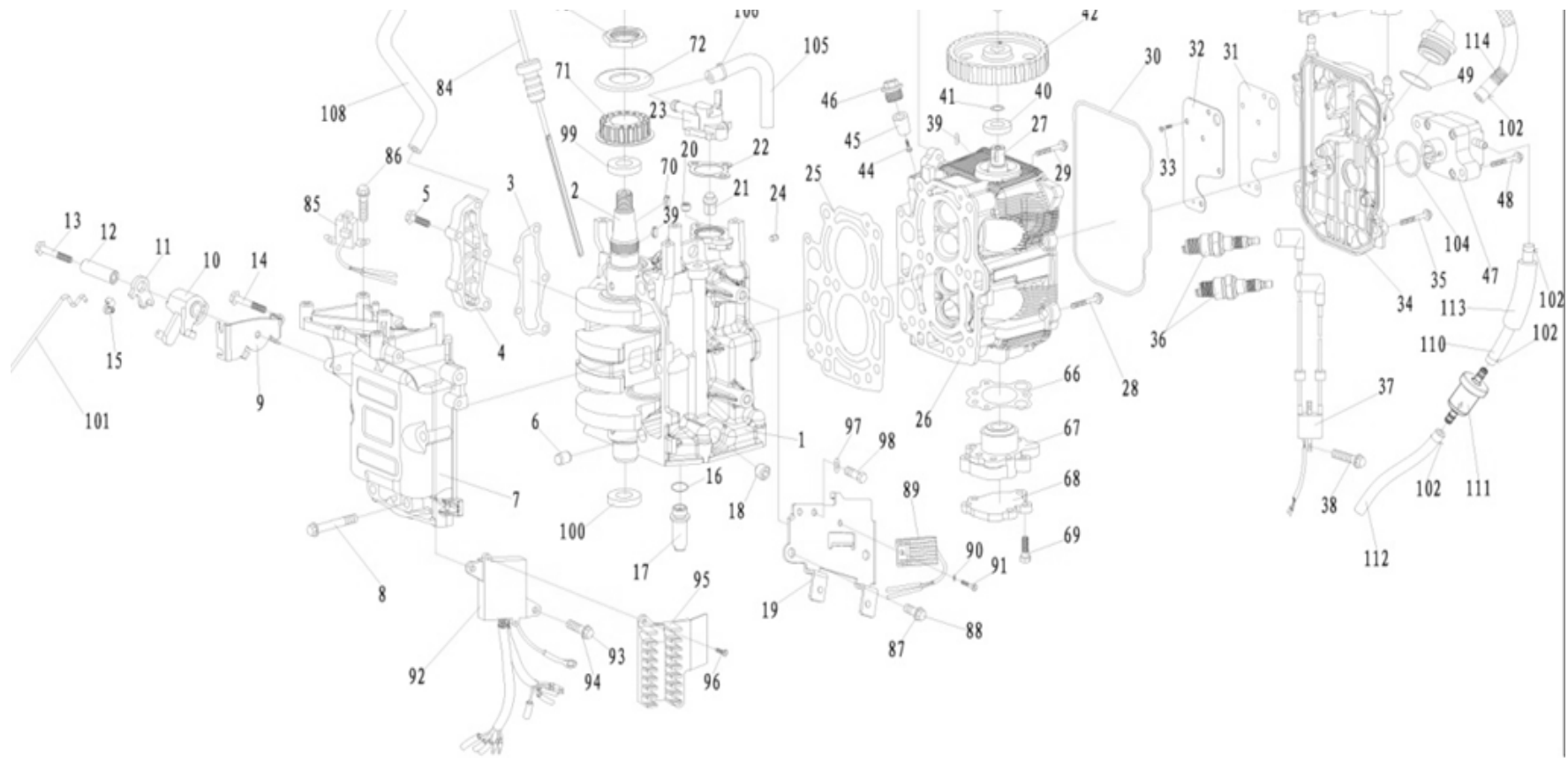


REF NO	PART CODE	DESCRIPTION		Q'TY			REMARK
1	F9.9-01.07.00.02	starter cover shell		1			
2	F15-01.07.00.02	brake		1			
3	15F-01.01.11	volute spring		1			
4	GB896 M8	split damping ring		1			
5	15F-01.01.16	actuating arm		1			
6	15F-01.01.18	actuating arm spring		1			
7	15F-01.01.17	return spring		1			
8	15F-01.01.20	plateen clip clutch		1			
9	15F-01.01.19	starting pressing plate		1			

10	GB848 M6	gasket 6		1			
11	GB933 M6*16	hexagon headed tolt M6×16		1			
12	15F-01.01.05	driving wheel		1			
13	F15-01.07.00.05	wire rope pullback spring		1			
14	F15-01.07.00.03	brake torisional spring		1			
15	F9.9-01.07.00.01	starting cover pipe		3			
16	GB933 M6*20	hexagon headed bolt M6×20		3			
17	GB848 M6	gasket 6		3			
18	15F-01.01.22	starting rope 5mm×2000		1			
19	F9.9-01.07.00.04	fixed ring of pulling		1			
20	15F-01.01.08	starting handle		1			
21	15F-01.01.10	handle cap		1			
22	F9.9-01.07.00.03	damping jacket		1			

# POWER HEAD





REF NO	F9.9-01.PART CODE	DESCRIPTION		Q'TY		REMARK
1	F9.9-01.01.00.08	crankcase		1		
2	F9.9-01.02.00.00	crank connection rod assembly		1		
3	F9.9-01.01.00.05	side cap gasket		1		
4	F9.9-01.01.00.04	side cap of water draining		1		
5	GB933 M6*25	hexagon headed bolt M6×25		1		
6	F9.9-01.01.00.11	stop pin		1		
7	F9.9-01.01.00.09	case cover		1		
8	GB933 M6*70	hexagon headed bolt M6×85		1		
9	F9.9-01.01.00.14	throttle wire rope bracket		1		

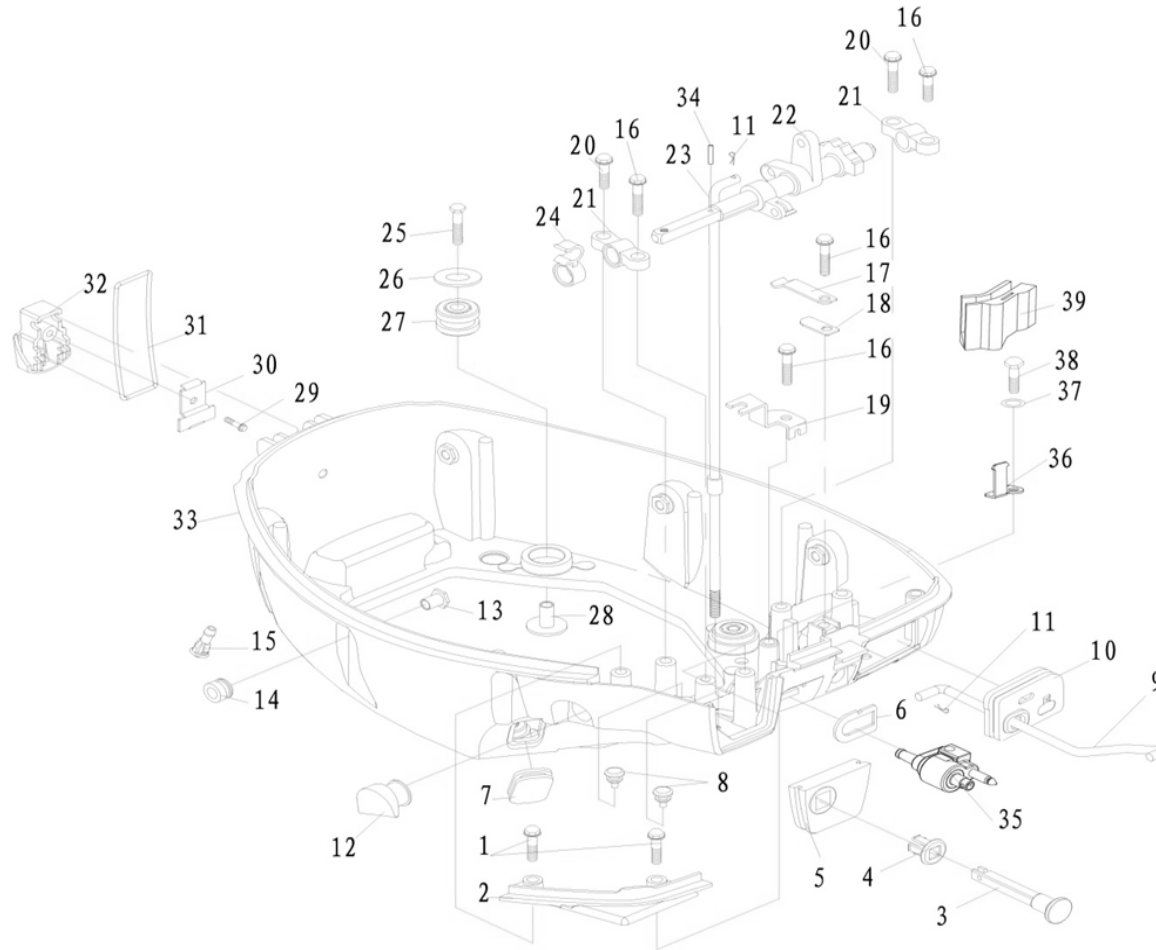
10	F9.9-01.01.00.22	throttle wire rope wheel		1	
11	F9.9-01.01.00.23	throttle connecting slice		1	
12	F9.9-01.01.00.18	bushing block		1	
13	GB933 M6*45	hexagon headed bolt M6×45		1	
14	GB933 M6*25	hexagon headed bolt M6×25		1	
15	15F-01.02.07	air choke connecting joint		1	
16	F15-01.01.00.15	O-ring		1	
17	F15-01.01.00.00	spilver valve as assembly		1	
18	3-Aug	jam 3/8		2	
19	F9.9-01.06.00.08	device bracket		1	
20	1-Aug	jam 1/8		1	
21	15F-01.06.14	thermostat		1	
22	F9.9-01.01.00.01	gasket		1	
23	F9.9-01.01.00.02	thermostat cap		1	
24	F15-01.01.00.18	locating pin		1	
25	F9.9-01.03.02.00	cylinder pad assembly		1	
26	F9.9-01.03.00.16	cylinder head		1	
27	F9.9-01.03.00.24	camshaft		1	
28	M8*60	hexagon flange head M8×60		1	
29	M8*75	hexagon flange head M8×75		1	
30	F9.9-01.03.00.11	rubber sealing ring		1	
31	F9.9-01.03.00.13	air passage gasket		1	
32	F9.9-01.03.00.12	aire passage plate		1	
33	GB818 M4*14	cross recess head screw		1	
34	F9.9-01.03.00.10	housing		1	
35	GB933 M6*20	hexagon headed bolt M6×20		1	
36	F9.9-01.06.00.14	spark plug		2	
37	F9.9-01.06.00.06	ignition coil		1	
38	GB933 M6*16	hexagon headed bolt M6×15		1	
39	GB/T1099-1979	woodruff key		1	
40	F15-01.03.00.16	oil seal		1	
41	GB848 M6	flat gasket		1	
42	F15-01.03.00.24	driven pulley		1	
43	GB5789 M6*16	hexagon flange headed bolt M6×16		1	
44	GB933 M6*25	cross recess head screw M5×25		1	
45	F9.9-01.03.00.34	anode A		1	
46	F9.9-01.03.00.35	hexagon flange headed bolt M6×15		1	
47	F9.9-01.04.01.00	fuel pump assembly		1	
48	GB933 M6*30	hexagon headed bolt M6×30		1	
49	F15-01.03.00.40	O-ring		1	
50	F15-01.03.00.39	oil filler bolt		1	

51	F9.9-01.03.00.08	shock absorber ring		3		
52	F9.9-01.03.00.07	driven pulley housing		1		
53	F9.9-01.03.00.05	locating pin		2		
54	F9.9-01.03.00.06	sealing gasket		1		
55	F9.9-01.03.00.04	air pipe(inlet)		1		
56	F9.9-01.03.00.42	air pipe bench holdfast B		1		
57	GB933 M6*25	hexagon headed bolt M6×25		1		
58	GB933 M6*35	hexagon headed bolt M6×35		2		
59	F9.9-01.04.00.02	carburetor gaslet		2		
60	F9.9-01.04.00.03	thermal baffle		1		
61	F9.9-01.04.00.01	carburetor assembly		1		
62	F9.9-01.03.00.03	o-ring		1		
63	F9.9-01.03.01.00	air cleaner assembly		1		
64	F9.9-01.03.00.02	tube		2		
65	GB5782 M6*85	hexagon headed bolt M6×85		1		
66	F9.9-01.05.01.07	gasket		1		
67	F9.9-01.05.01.06	oil pump body		1		
68	F9.9-01.05.01.05	pump cover		1		
69	GB933 M6*30	hexagon headed M6×30		1		
70	15F-06.01.09	woodruff key		1		
71	F9.9-01.02.00.10	driving pulley		1		
72	F9.9-01.02.00.08	driving pulley reatiner ring		1		
73	F9.9-01.02.00.09	driving pulley nut		1		
74	F9.9-01.03.00.09	synchronusbelt		1		
75	F9.9-01.06.00.12	lighting coil		1		
76	GB933 M6*30	hexagon headed bolt M6×30		1		
77	F9.9-01.06.00.13	charge coil		1		
78	GB933 M6*25	hexagon headed bolt M6×25		1		
79	F9.9-01.06.00.01	flywheel assembly		1		
80	15F0-01.03.20	flywheel flat gasket		1		
81	15F-01.03.19	flywheel nut		1		
82	F9.9-01.07.00.00	startercover assembly		1		
83	GB933 M6*20	hexagon headed bolt M6×20		1		
84	F9.9-01.05.02.00	vernier assembly		1		
85	F9.9-01.06.00.10	trigger		1		
86	GB933 M5*10	hexagon headed bolt M5×10		1		
87	GB848 M8	gasket 8		1		
88	M8*12	hexagon headed bolt M8×12		1		
89	F9.9-01.06.00.05	rectifier		1		
90	F9.9-06.00.00.23	gasket 5		1		
91	M5*10	cross recess headed M5×10		1		

92	F9.9-01.06.00.03	ignition control		1	
93	GB933 M6*20	hexagon headed bolt M6×20		1	
94	F15-04.00.00.07	gasket 6		2	
95	F9.9-01.06.00.04	plug wire seat		1	
96	GB845 M4.2*13	cross recessed pan headed tapping screw 4.2×12		1	
97	15F-07.05	gasket 6		1	
98	M6*14	hexagon headed bolt M6×12		1	
99	F9.9-01.01.00.12	oil seal 30×42×7-R		1	
100	F9.9-01.01.00.13	oil seal 25×37×7-L		1	
101	F9.9-01.04.00.04	carburetor connecting rod		1	
102		pipe clamp 10		8	
103	F9.9-01.03.00.01	aire pipe		1	
104	F15-01.04.01.10	o-ring		1	
105	F9.9-01.01.00.03	water pipe		1	
106		nylon cable ties 2.5×70		1	
107	F9.9-02.00.00.10	water pipe		1	
108	F9.9-01.01.00.20	water pipe		1	
109	F9.9-01.04.00.07	water pipe		1	
110	F9.9-01.04.00.10	fuel pipe		1	
111	F9.9-01.04.03.00	fuel filter assembly		1	
112	F9.9-01.04.00.12	fuel pipe		1	
113	F9.9-01.04.00.11	rubber pipe		1	
114	F9.9-01.04.00.08	waveform soft pipe		1	
115	F9.9-01.04.00.09	plastic mylar tubing		1	



# LOWER COWLING

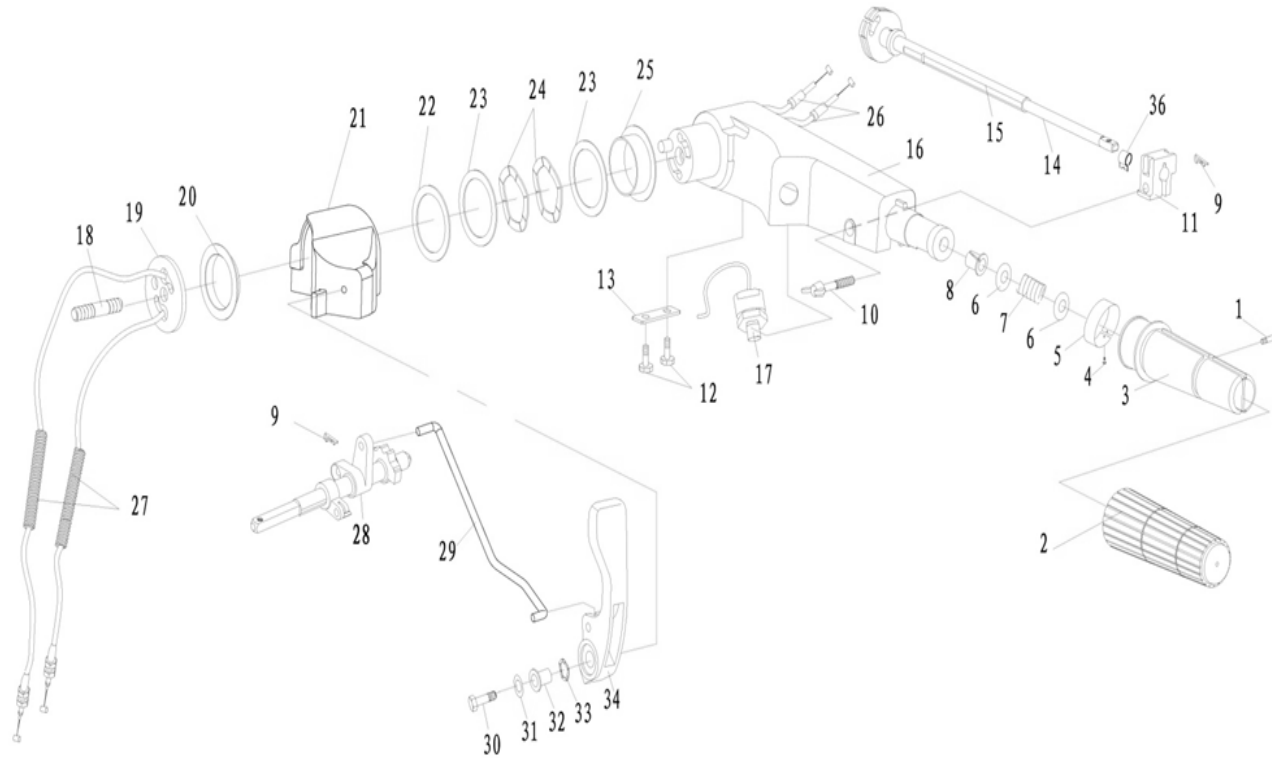


BACK

REF NO	PART CODE	DESCRIPTION		Q'TY			REMARK
1	GB933 M6*25	hexagon flange bolt M6×25		1			
1	GB848 M6	hexagon flange bolt M6×25		1			
2	F9.9-02.00.00.01	cover plate of the air choke		1			
3	15F-02.02	pull rod of the air choke		1			
4	15F-02.03	pull rod jacket of the air choke		1			

5	F9.9-02.00.00.02	seat of air chole pull rod		1			
6	F9.9-01.04.00.13	gasket of fuel pipe plug		1			
7	F9.9-02.00.00.15	rubber oblong choke plug		1			
8	15F-02.09	off board rubber pipe choke plug		1			
9	F9.9-02.00.00.14	shift connecting rod		1			
10	F9.9-02.00.00.09	steelwire rubber jacket		1			
11	15F-04.08.05	snap spring		1			
12	F9.9-02.00.00.08	front shift rubber choke plug		1			
13	F15-00.00.00.15	decorative sheet shock absorber pad		6			
14	F15-02.00.00.32	decorative sheet shock absorber		6			
15	15F-02.11	water nozzle		1			
16	GB5789 M6*20	flange hexagon headed bolt M6*20		1			
17	F15-02.00.00.05	shift and spacing spring plate		1			
18	F15-02.00.00.06	spacing plate		1			
19	F15-02.00.00.03	wire rope bracket		1			
20	GB933 M6*25	hexagon flange bolt M6*25		1			
20	GB848 M6	hexagon flange bolt M6*25		1			
21	F9.9-02.01.00.04	bracket		2			
22	F9.9-02.01.00.00	shift pry assembly		1			
23	F9.9-02.00.00.13	(upper)shift pry		1			
24	F9.9-02.01.00.03	fuel pipe mounting bracket		1			
25	GB933 M6*35	hexagon headed bolt M6*35		1			
26	GB5287 M6	big gasket 6*22		1			
27	F9.9-02.00.00.05	cushion blocking		1			
28	F9.9-02.00.00.06	pad pipe with collar		1			
29	GB818 M5*12	cross recess head screw M5*12		1			
30	15F-02.16	hold-down locking plate		1			
31	F15-02.00.00.33	locking steel wire		1			
32	15F-02.15	locking handle		1			
33	F9.9-02.00.00.04	bottom seat		1			
34	M3*14	elastic cylindrical pin 3*14		1			
35	15F-01.07.01.00	fuel pipe plug assembly		1			
36	F9.9-01.04.00.15	bracket		1			
37	GB933 M6*25	hexagon headed bolt M6*25		1			
38	GB/T848	flat gasket 6		1			
39	F9.9-01.04.00.14	wire rope fixed block		1			

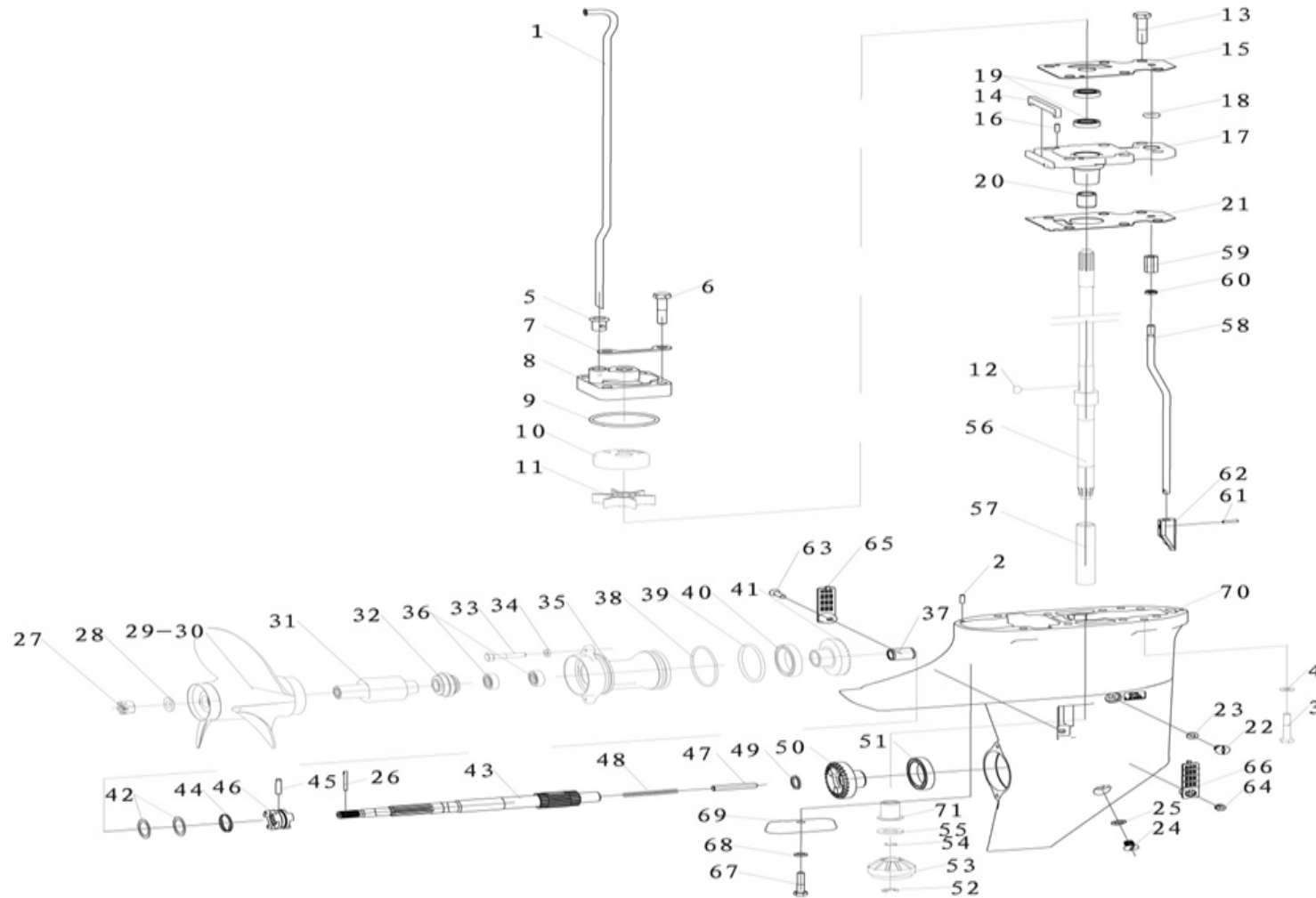
# TILLER CONTROL



REF NO	PART CODE	DESCRIPTION		Q'TY		
1	GB818 M5*25					
2	FR15FH-04.07.14	rubber sleeve of handle		1		
3	FR15FH-04.07.13	handle		1		
4	GB845 M2.9*6.5	self-tapping screw ST2*6		1		
5	(S)	throttle rating plate		1		
6	GB/T848	flat gasket 10		2		
7	FR15FH-04.07.11	spring		1		
8	15F-04.07.12	bushing block		1		
9	GB91 M1.6*16	cotter pin 1.6*12		1		
10	F15-04.02.00.08	resistance regulating knob		1		
11	F15FH-04.07.08	latch segment		1		
12	GB933 M6*12	hexagon flange bolts M6*12		2		
12	GB848 M6	hexagon flange bolts M6*12		2		
13	F15-04.02.00.07	throttle lever platen		1		

14	15F-04.07.06	throttle lever casting insert		1			
15	15F-04.07.05	throttle lever		1			
16	F15-04.02.00.01	wheel handle		1			
17	15F-04.07.03	emergency stop switch assembly		1			
18	F15-04.02.00.02	studs M10		1			
19	F15-04.00.00.02	wheel handle platen		1			
20	F15-04.00.00.04	nylon lining(short)		1			
21	F9.9-04.01.00.03	mounting bracker		1			
22	F15-04.00.00.03	nylon gasket		1			
23	F15-04.00.00.07	gasket		2			
24	F15-04.00.00.05	waveform gasket		2			
25	F15-04.00.00.06	nylon lining(long)		1			
26	F9.9-04.00.00.01	throttle control wire rope					
27	F15-04.00.00.08	waveform plastic pipe		2			
28	F15-02.01.00.04	mounting bracker for shift pry					
29	F9.9-02.00.00.14	shift connecting rod		1			

# LOWER UNIT

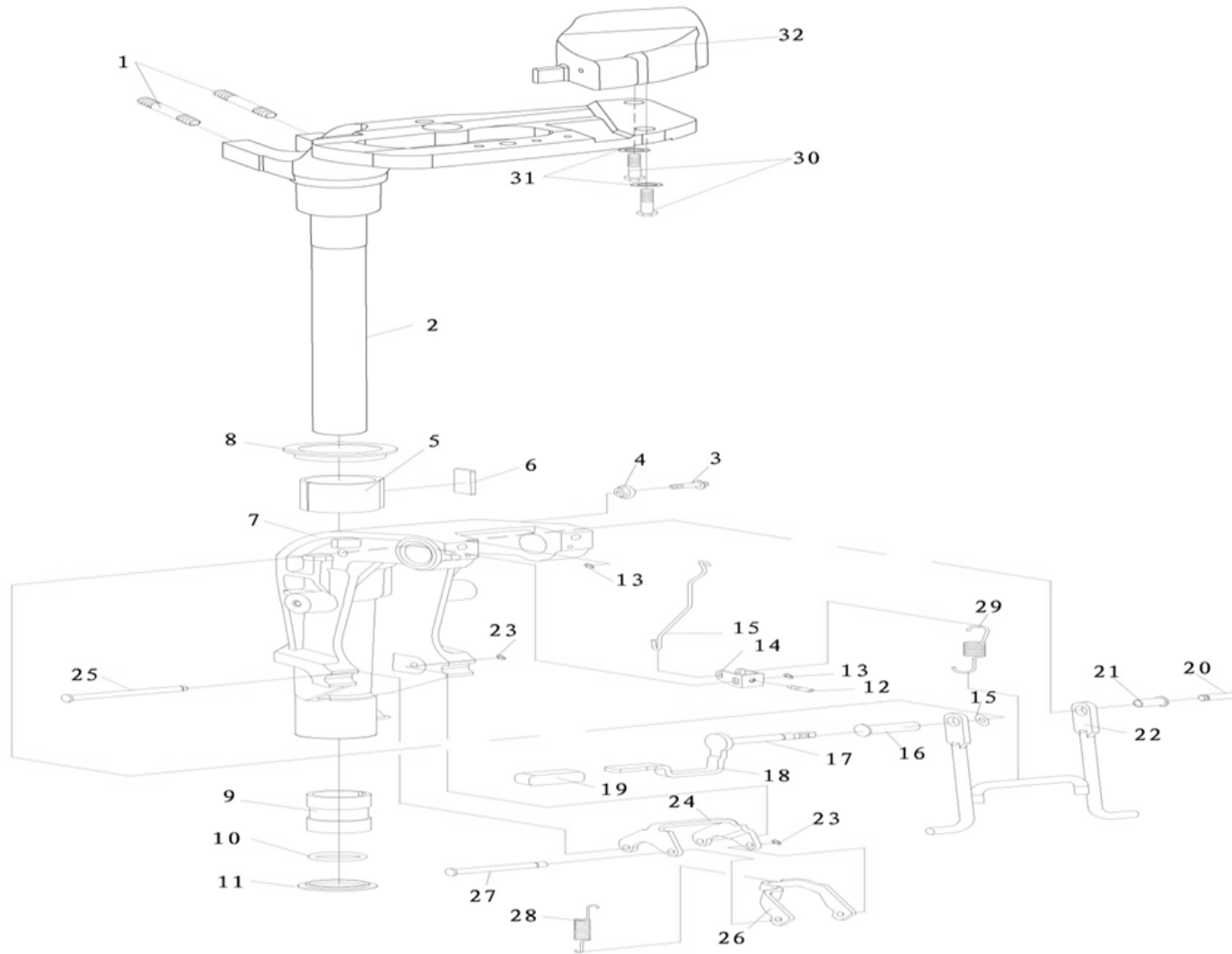


REF NO	PART CODE	DESCRIPTION		Q'TY		REMARK
1	F9.9-05.00.00.08	water pipe		1		
2	15F-06.03.08	stop pin		1		
3	M8*35	hexagon headed bolt M8*35		1		
4	GB5287 M6	gasket		1		
5	15F-06.02.06	sealing ring of the water pump and pipe		1		
6	M8*45	hexagon headed bolt M8*45		4		
7	15F-06.02.07	fixed plate of the water pump		2		
8	15F-06.02.01	water pump shell		1		
9	15F-06.02.02	o-ring of the water pump shell		1		

10	15F-06.02.03	inner shell of water pump		1			
11	F9.9-06.05.00.00	water pump impeller assembly		1			
12	F4-01.06.19	woodruff key		1			
13	M8*25	hexagon headed bolt M8*25		2			
14	15F-06.03.04	axletree seat sealing strip		1			
15	F9.9-06.01.00.01	hold-down plate for axletree seat		1			
16	15F-06.03.08	stop pin		1			
17	F9.9-06.01.00.05	shell of axletree seat		1			
18	15F-06.03.03	shift lever o-ring		1			
19	F9.9-06.01.00.03	oil seal		2			
20	F9.9-06.01.00.04	oil bearing		1			
21	F9.9-06.01.00.06	sealing gasket of axletree seat		1			
22	15F-06.01.03	oil inlet plug screw		1			
23	15F-06.01.04	plug screw gasket		1			
24	15F-06.01.03	oil inlet plug screw		1			
25	15F-06.01.04	plug screw gasket		1			
26	GB91 M2.5*20	cotter pin		1			
27	15F-06.14.06	hexagon castle (slotted)nut		1			
28	GB96 M10	gasket 10		1			
29	F9.9-06.03.00.01	propeller		1			
30	F9.9-06.03.00.02	flare opening		1			
31	F9.9-06.03.00.03	internal spline of propeller		1			
32	F9.9-06.00.00.24	bushing block		1			
33	GB933 M6*16	hexagon headed bolt M6*16		2			
34	GB848 M6	gasket 6		1			
35	F9.9-06.02.00.07	cover of the underwater shell		1			
36	F9.9-06.02.00.04	oil seal		2			
37	F9.9-06.02.00.03	oil bearing		1			
38	F9.9-06.02.00.06	O-ring(big)		1			
39	F9.9-06.02.00.05	O-ring(small)		1			
40	F9.9-06.00.00.15	axletree 6004c2		1			
41	F9.9-06.02.00.01			1			
42	F9.9-06.02.00.02	reverse gear helical bevel gear		1			
43	F9.9-06.00.00.22	propeller shaft		1			
44	F9.9-06.00.00.20	circlip		1			
45	F9.9-06.00.00.19	pin		1			
46	F9.9-06.00.00.21	dog clutch		1			
47	F9.9-06.00.00.17	shift plunger		1			
48	F9.9-06.00.00.18	compression spring		1			
49	GB848 M6	gasket ring		1			
50	F9.9-06.00.00.16	forward shift helical bevel gear		1			

51	F9.9-06.00.00.15	axletree 6004c2		1			
52	M7	split damping ring		1			
53	F9.9-06.00.00.11	driving wheel		1			
54	F9.9-06.00.00.09	elastic damping ring		1			
55	F9.9-06.00.00.10	control pin of the driving wheel		1			
56	F9.9-06.00.00.08	drive shaft		1			
57	F9.9-06.00.00.06	nylon rign gasket		1			
58	F9.9-06.00.00.01	shift cam lever		1			
61	15F-06.04.03	round pin		1			
62	15F-06.04.02	shift cams		1			
59	15F-06.04.05	columnar nut		1			
60	GB934 M6	hexagon thin nuts M6		1			
63	GB820 M5*20	cross recessed raised countersunk head screw M5*20		1			
64	GB985 M5	hexagon nylon locknut M5		1			
65	15F-06.01.05	water inlet cover A		1			
66	15F-06.01.06	water inlet cover B		1			
67	GB5789 M6*20	hexagon flange bolts M6*20		1			
68	GB861 M6	internal teeth lock washer 6		1			
69	F9.9-06.00.00.14	anode		1			
70	F9.9-06.00.00.13	underwater shell		1			
71	F9.9-06.00.00.17	oil bearing		1			

# STEERING TUBE

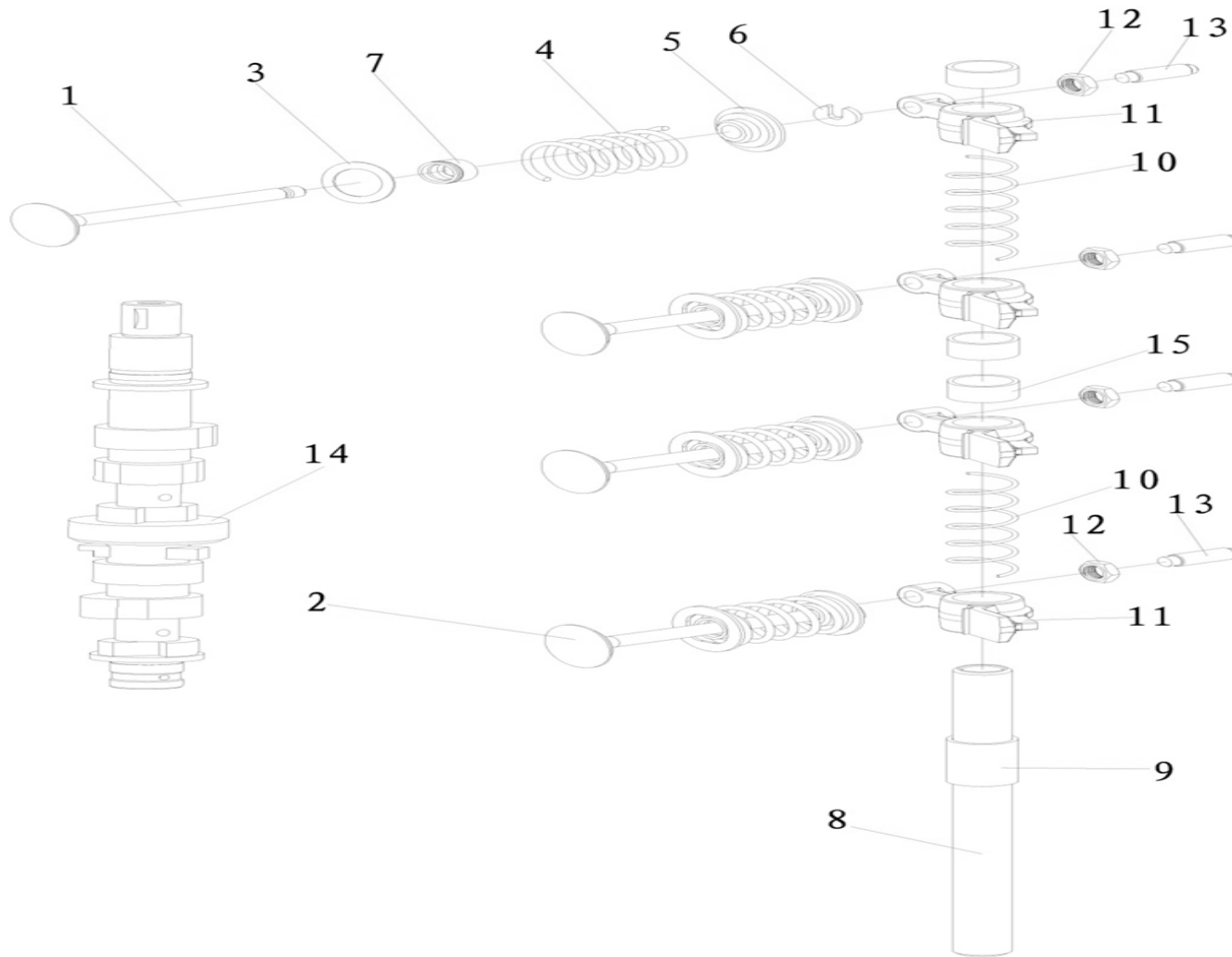


REF NO	PART CODE	DESCRIPTION		Q'TY			REMARK
1	F9.9-04.01.00.04	studs M8*65		2			
2	F9.9-04.01.00.01	steering bracket		1			
3	GB5789 M6*20	hexagon flange bolts M6*20		1			
4	FR15FH-03.09.09	sealing gasket of locking bolt		1			
5	FR15FH-03.09.03	locking ring		1			
6	FR15FH-03.09.04	friction lining of locking ring		1			



7	F9.9-03.09.00	spining bracket		1			
8	15F-03.09.05	ring gasket		1			
9	FR15FH-03.09.06	bushing block(down)		1			
10	FR15FH-03.09.07	sealing O-ring		1			
11	FR15FH-03.09.08	ring gasket(down)		1			
12	GB818 M5*6	cross recess head screw M5*6		1			
13	GB896 M5	split damping ring 5		2			
14	FR15FH-03.09.10	angular dimersioning part		1			
15	FR15FH-03.09.11	angular dimersioning locking rod		1			
16	FR15FH-03.09.14	pry jacket		1			
17	FR15FH-03.09.12.03	hinge pin		1			
18	FR15FH-03.09.12.02	handle		1			
19	FR15FH-03.09.12.01	rubber jacket		1			
20	15F-03.09.19	angular dimersioning hinge pin		1			
21	FR15FH-03.09.17	nylon jacket for locking carriage		1			
22	FR15FH-03.09.15	angle carriage		1			
23	GB896 M4	split damping ring 4		2			
24	FR15FH-03.09.21	outer carriage of angular dimersioning		1			
25	FR15FH-03.09.19	carriage lock		1			
26	FR15FH-03.09.20	angular dimersioning inner		1			
27	FR15FH-03.09.22	inner carriage of angular dimersioning		1			
28	FR15FH-03.09.18	tension spring		1			
29	FR15FH-03.09.24	angle carriage tension spring		1			
30	M10*35	hexagon headed bolt M10*35		2			
31	GB848 M10	flat gasket 10		2			
32	F9.9-04.01.00.03	mounting bracker		1			

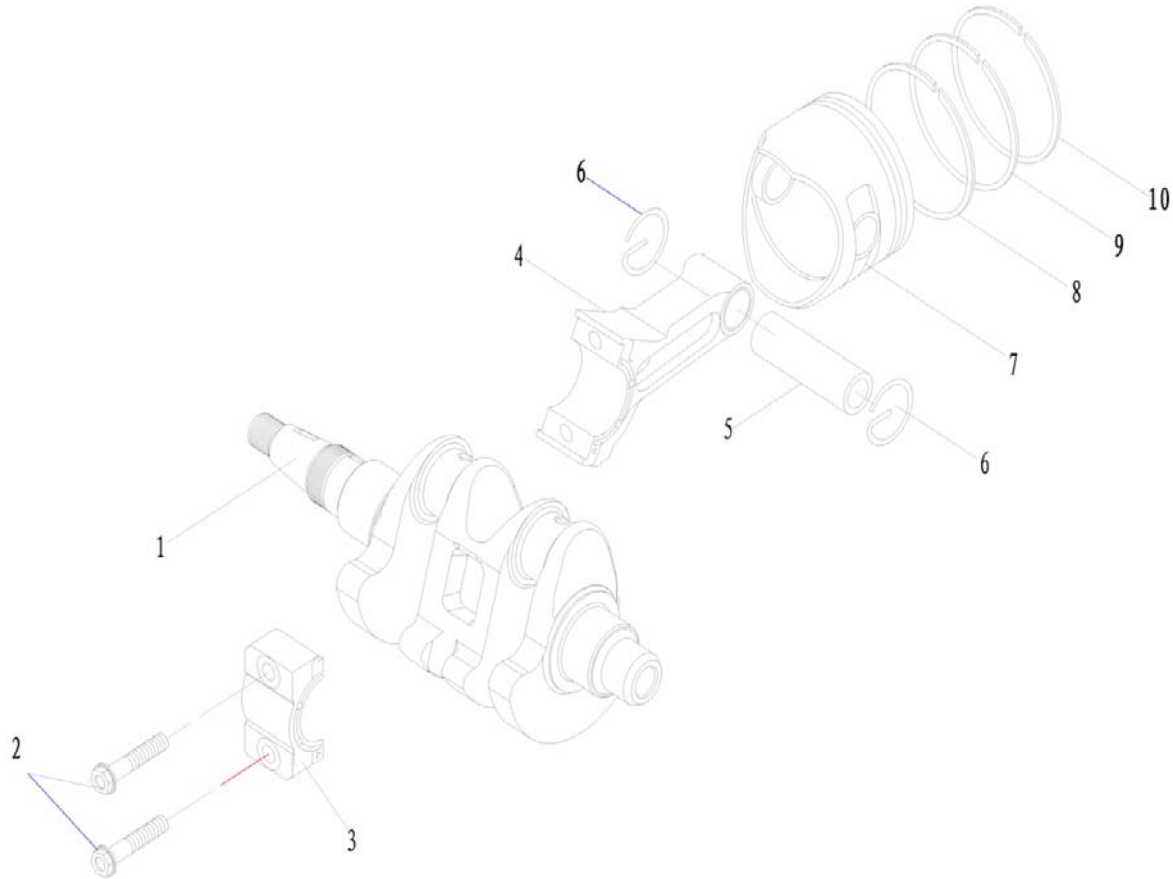
# VALVE TRAIN



REF NO	PART CODE	DESCRIPTION		Q'TY			REMARK
1	F4-01.06.33.05	intake valve		2			
2	F4-01.06.33.06	exhaust valve		2			
3	F4-01.06.33.08	valve-spring washer		4			
4	F9.9-01.03.00.20	valve spring		4			
5	F4-01.06.33.11	valve spring seat		4			
6	F4-01.06.33.10	valve lock clamp		4			
7	F4-01.06.33.09	valve oil seal		4			
8	F9.9-01.03.00.26	rocker arm shaft		4			

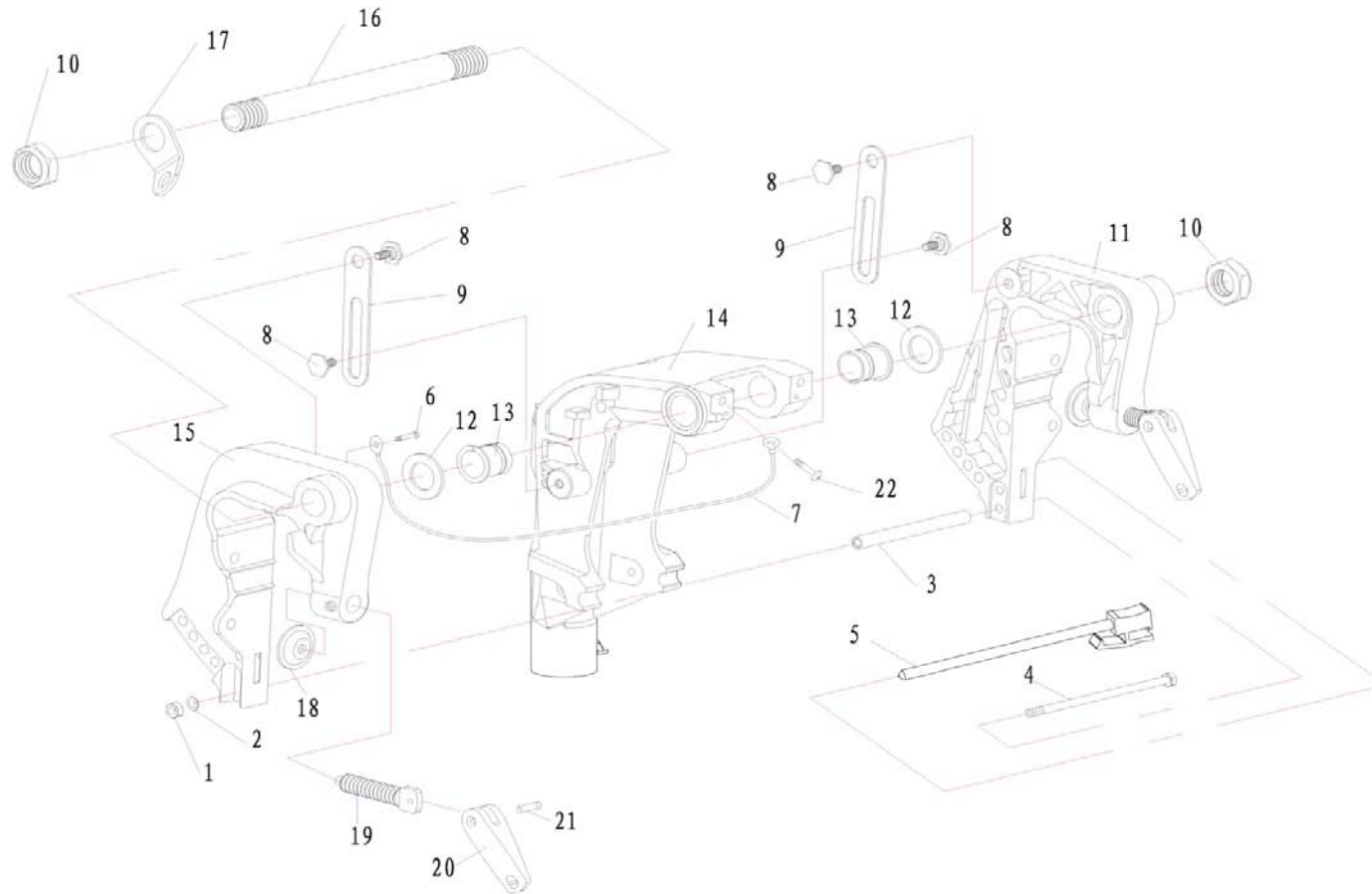
9	F15-01.03.00.08	rocker arm shaft spacer bush		1			
10	F15-01.03.00.13	rocker arm shaft spring		3			
11	F15-01.03.00.27	rocker arm		4			
12	F15-01.03.00.30	hexagon nut M6*0.5		4			
13	F9.9-01.03.00.31	valve setting screw		4			
14	F9.9-01.03.00.24	camshaft					
15	F9.9-01.03.00.32	rocker arm shaft spacer bushe B		2			

# CRANKSHAFT ASSEMBLY



REF NO	PART CODE	DESCRIPTION		Q'TY			REMARK
1	F9.9-01.02.00.01	crankshaft		1			
2	M8*60	hexagon flange bolts		2			
3	F9.9-01.02.01.02	connecting rod cap		1			
4	F9.9-01.02.01.01	connecting rod shank		1			
5	F9.9-01.02.00.03	piston pin		2			
6	15F-01.05.14	jump ring		1			
7	F9.9-01.02.00.02	piston		4			
8	F9.9-01.02.00.07	assembled oilring		3			
9	F9.9-01.02.00.06	vice-compression ring		2			
10	F9.9-01.02.00.05	main-compression ring		2			

# MOUNTING BRACKET



REF NO	PART CODE	DESCRIPTION		Q'TY			REMARK
1	GB934 M6	hexagon thin nuts M6		2			
2	GB/T848	flat gasket 6		1			
3	FR15FH-03.11	casing pipe		1			
4	GB933 M6*145	hexagon headed bolt M6*145		1			
5	FR15FH-03.10.00	angle limiting bolt assembly		1			
6	GB818 M6*8	cross recess head screw M6*8		1			
7	FR15FH-03.05.03	wire rope		1			
8	FR15FH-03.06	gib-headedbolt		4			
9	FR15FH-03.07	stopping plate		2			

10	FR15FH-03.01	clamp bracket nut		2			
11	FR15FH-03.08.01	bracket(right)		1			
12	FR15FH-03.02	nylon gasket		2			
13	FR15FH-03.09.02	resistance ring of bracket		2			
14	F9.9-03.09.00	spining bracket		1			
15	FR15FH-03.05.01	bracket(left)		1			
16	15F-03.04	clamp bracket stud		1			
17	FR15FH-03.03	orificeplate		1			
18	FR15FH-03.05.02.03	clamp plate		2			
19	FR15FH-03.05.02.01	transom board clamping bolt		2			
20	FR15FH-03.05.02.04	clamping handle		2			
21	M4*20	oval countersunk head rivet4*22		2			
22	GB818 M8*10	cross recess head screw M8*10		1			