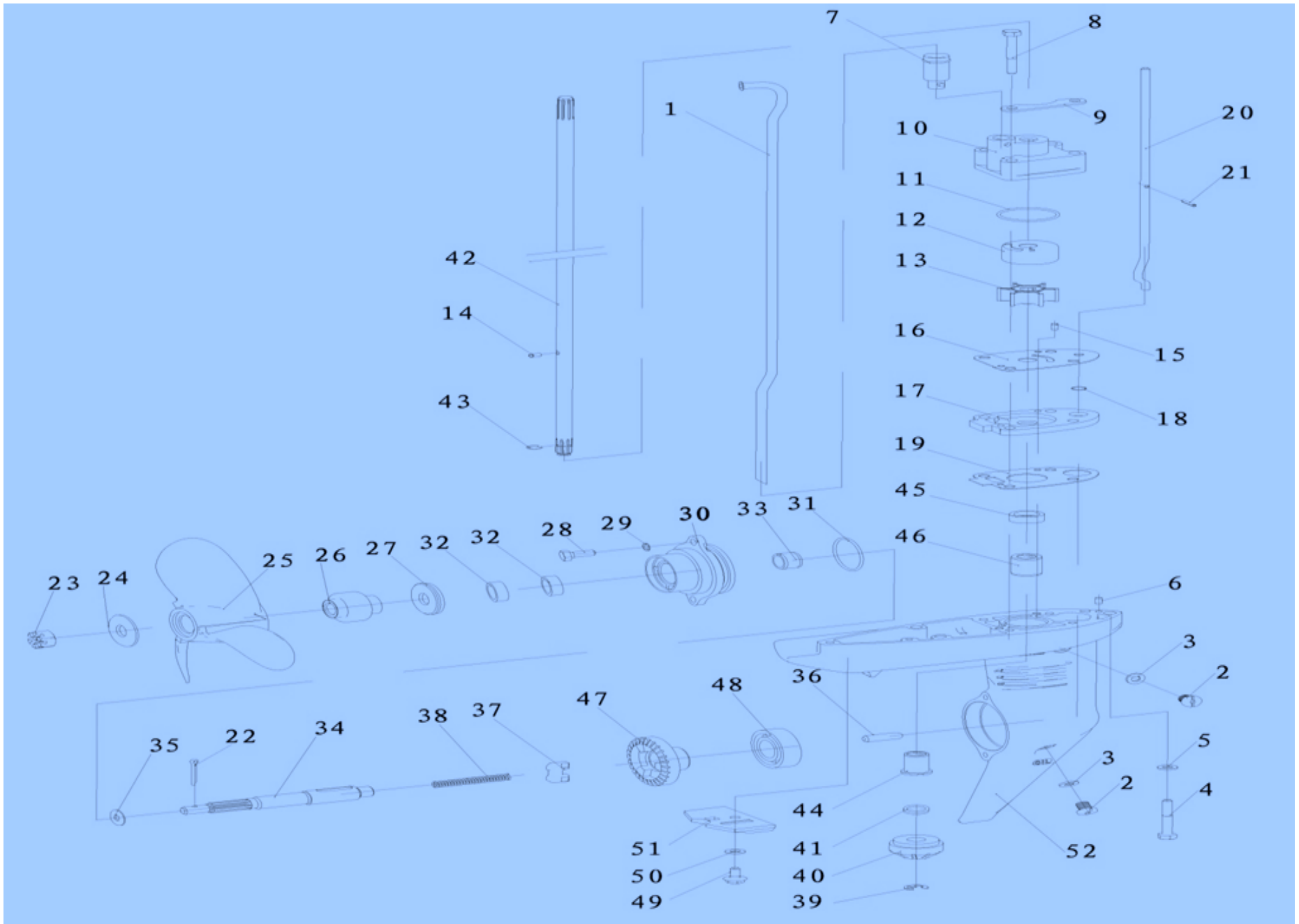




This catalog is for spare parts orders - please refer to the exploded diagrams and respective part reference numbers.

The manufacturer reserves the right to make modifications or improvements to the products and parts without prior notice (E&OE)

SECTION	PART REFERENCE
1	Lower Unit
2	Mounting Bracket
3	Lower Cowling
4	Tiller Control
5	Upper Housing
6	Starter Components
7	Valve Train
8	Power Head
9	Crankshaft Assembly

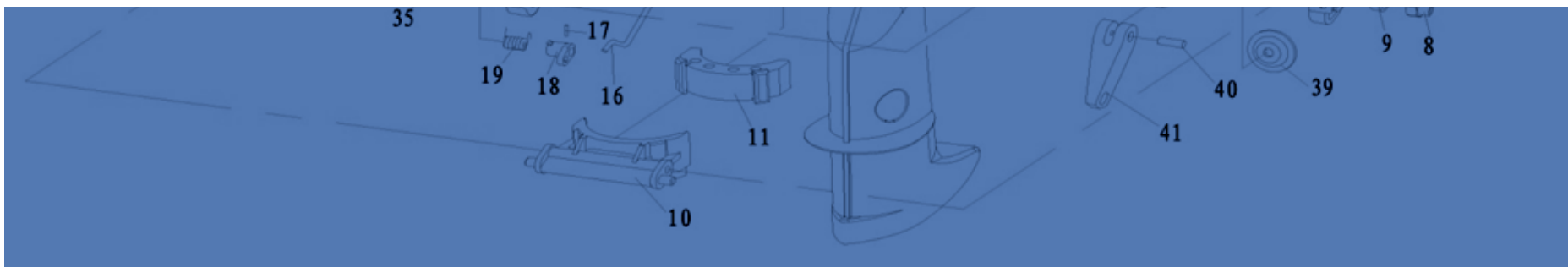


REF NO	PART CODE	DESCRIPTION	Q'TY		REMARK
1	F2.5-05.00.00.10	water pipe	1		
2	15F-06.01.03	Oil filling opening bolt	2		
3	15F-06.01.04	sealing pad of plug screw	2		
4	GB933 M6*30	hex bolt M6×30	3		
5	GB848 M6	flat gasket 6	3		
6	15F-06.03.08	locating pin	2		
7	F4-06.21.04	water pipe sealing ring	1		
8	GB933 M6*40	hex bolt M6×40	4		
9	F2.5-06.00.00.12	water pump hold-down plate	2		
10	F2.5-06.00.00.13	hold-down plate for underwater shell	1		
11	F2.5-06.00.00.15	water pump sealing ring	1		
12	F2.5-06.00.00.14	water pump inner hull	1		
13	F2.5-06.04.00.00	water pump impeller assembly	1		
14	F2.5-06.00.00.16	impeller pin	1		
15	15F-06.03.08	locating pin	2		
16	F2.5-06.00.00.17	water pump pad	1		
17	F2.5-06.00.00.18	water pump seat	1		
18	F2.5-06.00.00.22	O-ring	1		
19	F2.5-06.00.00.19	sealing pad	1		
20	F2.5-05.00.00.05	shift lever cam lever	1		
21	F2.5-06.00.00.21	stoping pin	1		
22	GB91 M2.5*20	cotter	1		
23	F4-06.26	hezagon castle(slotted)nut	1		
24	GB96 M8	flat gasket 8	1		
25	F2.5-06.01.00.01	propeller	1		
26	F2.5-06.25.02.00	propeller internal spline assemble	1		
27	F4-06.24	propleer pad	1		
28	GB933 M6*16	hexagon headed bolt M6×16	2		
29	GB848 M6	flat gasket	2		
30	F2.5-06.00.00.01	underwater shell	1		
31	F4-06.07.03	O-ring of underwater shell	1		
32	F4-06.07.02	head oil seal	2		
33	F2.5-06.00.00.03	shell cover axis guide	1		
34	F2.5-06.03.00.01	propeller shaft			
35	F2.5-06.00.00.05	gasket	1		
36	F2.5-06.03.00.02	shift lever control plunger	1		
37	F2.5-06.03.00.03	clutch disc	1		
38	F4-06.04.02	compression spring	1		
39	GB896 M5	split washer	1		
40	F2.5-06.00.00.11	driver	1		
41	F2.5-06.00.00.10	driver tuning strip	1		
42	F2.5-06.00.00.09	drive shaft	1		

43	F2.5-06.00.00.26	circlip		1		
44	F2.5-06.00.00.24	upper axle sleeve of underwater body		1		
45	F2.5-06.00.00.23	oil seal		1		
46	F2.5-06.00.00.25	axle guide for underwater shell		1		
47	F2.5-06.00.00.06	forward gear unit		1		
48	F2.5-06.00.00.07	axletree 16003		1		
49	GB5789 M6*20	hex bolts M6×20		1		
50	GB861 M6	internal tooth lock washer		1		
51	F4-06.02	anode B		1		
52	F2.5-06.00.08	underwater shell		1		

Section 2 MOUNTING BRACKET

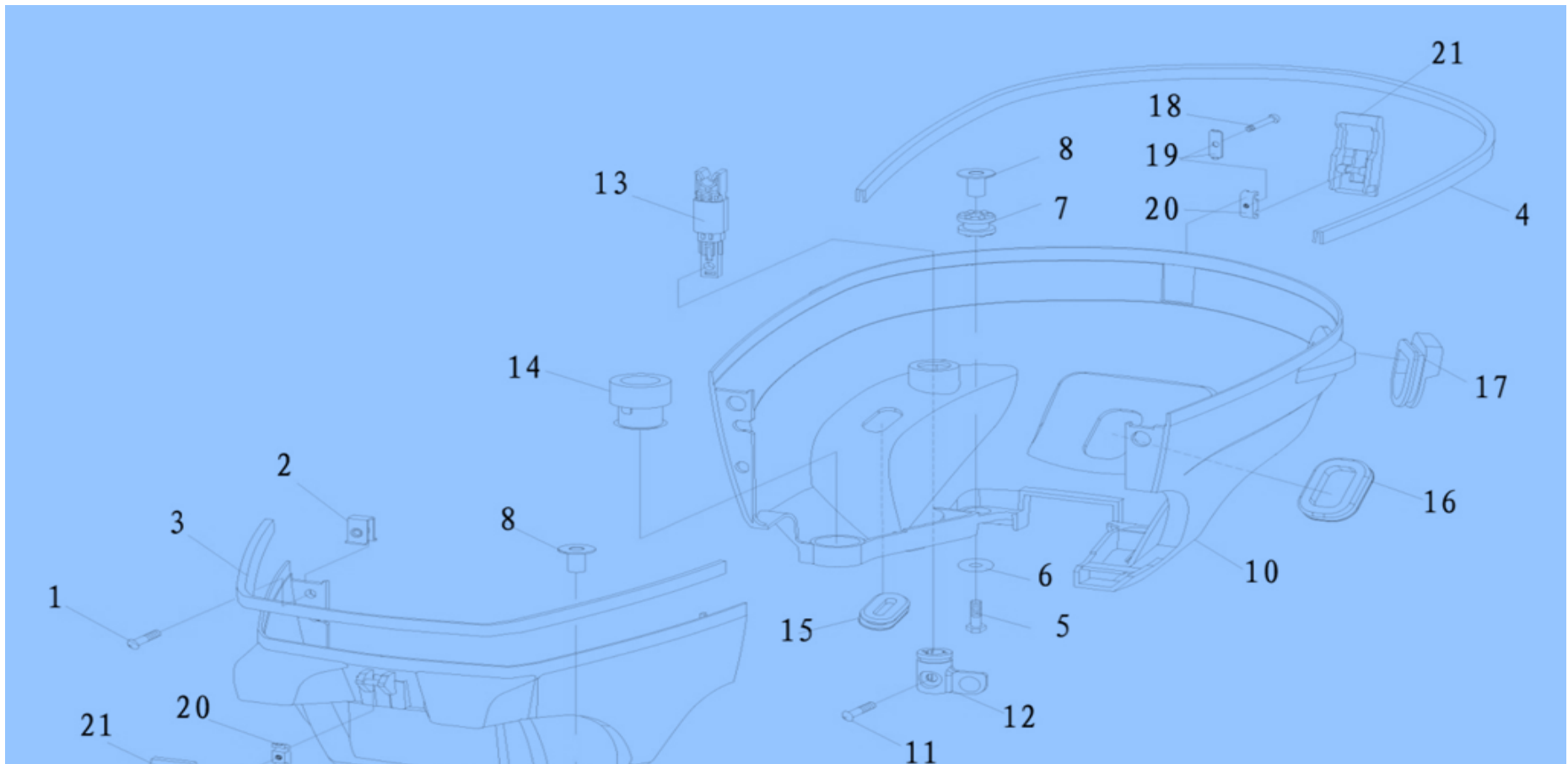


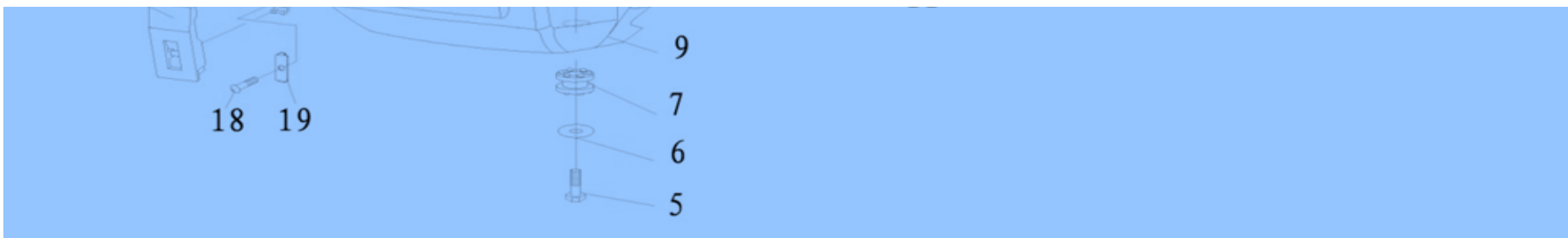


REF NO	PART CODE	DESCRIPTION	Q'TY		REMARK
1	304.6172M8*1.25	hexagon thin nuts M8	1		
2	304.6172M8*1.25	hexagon thin nuts M8	1		
3	GB96 M8	gasket 8	1		
4	F2.5-03.00.00.09	intensify bracket(left)	1		
5	GB96 M8	big gasket 8*24	2		
6	F2.5-03.00.00.17	intensify bracket(right)	1		
7	M8*135	hexagon bolt	1		
8	GB985 M6	hex jam nuts M6	1		
9	F2.5-03.00.00.11	thick gasket	1		
10	F2.5-03.03.00.03	bracket seat	1		
11	F2.5-03.03.00.01	rubber bracket seat	1		
12	GB933 M6*130	hexagon headed bolt M6*130	1		
13	GB/T896	split damping ring 4	1		
14	F2.5-03.00.00.14	stop block statinary axle	1		
15	F2.5-03.00.00.15	stop block	1		
16	F2.5-03.00.00.16	stop block connecting rod	1		
17	M2*10	elastic cylindrical pin 2*10	1		
18	F2.5-03.04.00.04	angular dimersioning part	1		
19	F2.5-03.04.00.03	torsional spring	1		
20	15F-04.07.12	bushing block	1		
21	F2.5-03.04.00.00	handling pry assembly	1		
22	M4*9	semi flat tubular rivet 4*10	1		
23	F4-03.05.06.01	locking knob	1		
24	F2.5-03.01.00.01	tie down screw	1		
25	GB848 M5	flat gasket 5	1		
26	F2.5-03.01.00.03	compressed spring	1		
27	F2.5-03.00.00.01	decorating cap	1		
28	M4.2*16	cross recessed screw and flat washer	3		
28	GB848 M6	cross recessed screw and flat washer	3		
29	GB933 M6*40	hexagon headed bolt 6*40	4		
30	GB848 M6	flat gasket6	4		

31	F2.5-03.00.00.05	revolving bracket top		1		
32	F2.5-03.02.00.00	locking hold-down plats assembly		1		
33	F2.5-03.00.00.07	anti-attrition body B		1		
34	F2.5-03.00.00.06	anti-attrition body A		1		
35	F2.5-03.00.00.08	revolving bracket		1		
36	F2.5-03.00.00.03	Idle metering jet top		1		
37	F2.5-03.00.00.04	rubber gasket		1		
38	F2.5-05.00.00.02	under water shell		1		
39	15F-03.05.02.03	intensify plate		2		
40	M4*20	semitubular oval rivet 4*22		2		
41	15F-03.05.02.04	intensify handle		2		
42	F4-03.01.03	intensify transom board screw		2		
43	F2.5-03.00.00.13	rubber decorating strip		1		

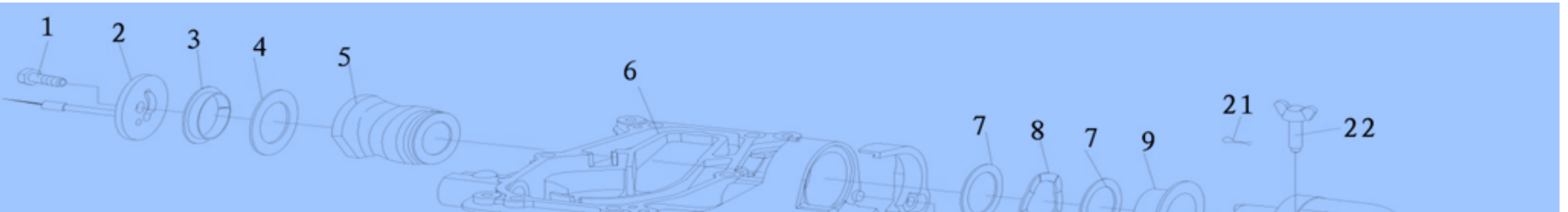
Section 3 **LOWER COWLING**

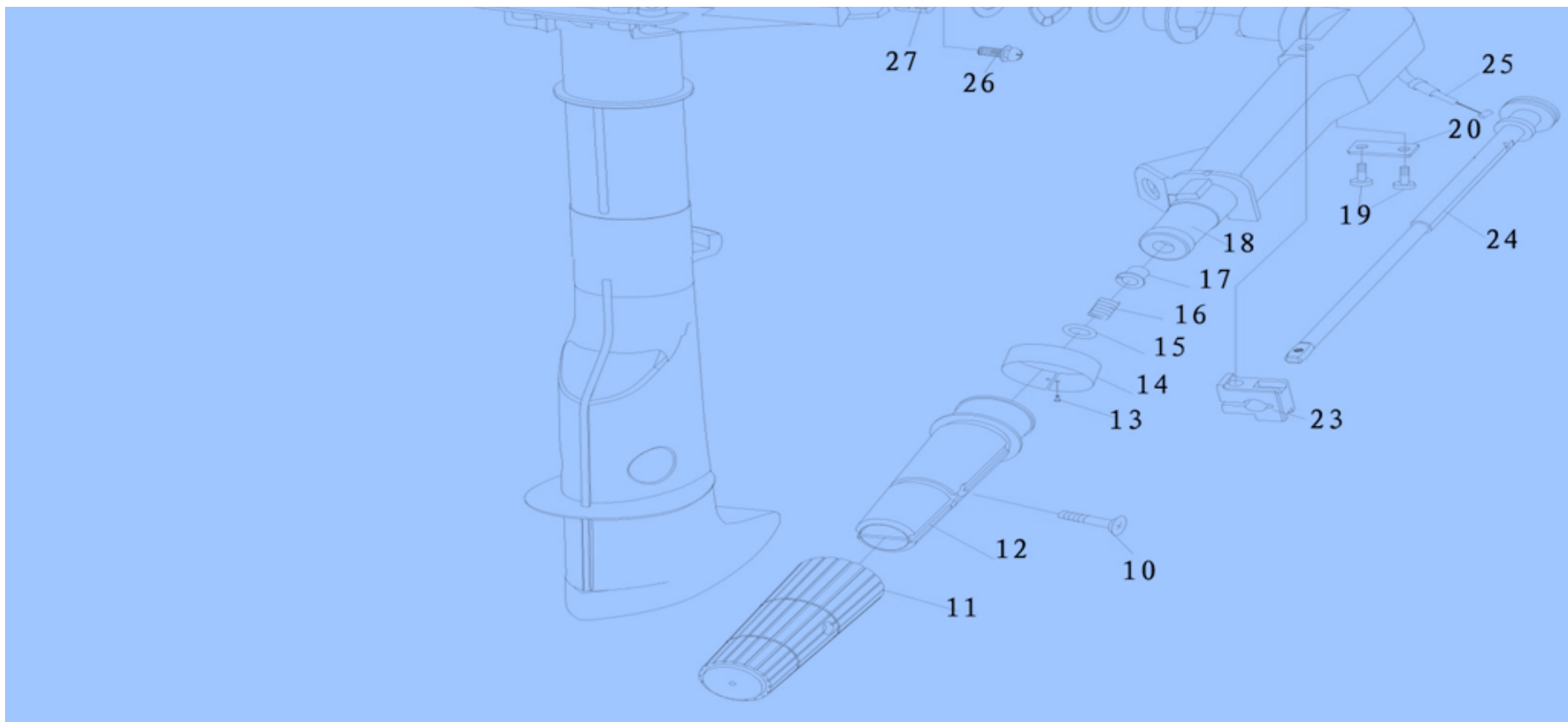




REF NO	PART CODE	DESCRIPTION	QTY		REMARK
1	GB818 M5*12	cross recess head screw	2		
2	F2.5-02.00.00.03	U-size locating card	2		
3	F2.5-02.00.00.02	sealing strip A620MM	1		
4	F2.5-02.00.00.02	sealing strip A620MM	1		
5	GB933 M6*25	hexagon headed bolt 6*25	4		
6	GB96 M6	flat gasket 6*18	2		
7	F2.5-02.00.00.08	shock pad	4		
8	F2.5-02.00.00.09	shouldered tube	4		
9	F2.5-02.00.00.10	front stand	1		
10	F2.5-02.00.00.01	back stand	1		
11	GB818 M5*8	cross recess head screw M5*8	1		
12	F2.5-01.04.02.03	Oil switch knob	1		
13	F2.5-01.04.02.02	oil switch connection rod	1		
14	F2.5-02.00.00.04	rubber ring gasket	1		
15	F2.5-02.00.00.05	jam(small)	1		
16	F2.5-02.00.00.06	jam(mid)	1		
17	F2.5-02.00.00.07	jam (big)	1		
18	GB845 M2.9*6.5	cross recessed pan head tapping screws	2		
19	F4-02.06	hold-down locking plate	2		
20	F4-02.07	handle axle	2		
21	F4-02.05	locking handle	2		

Section 4 TILLER CONTROL



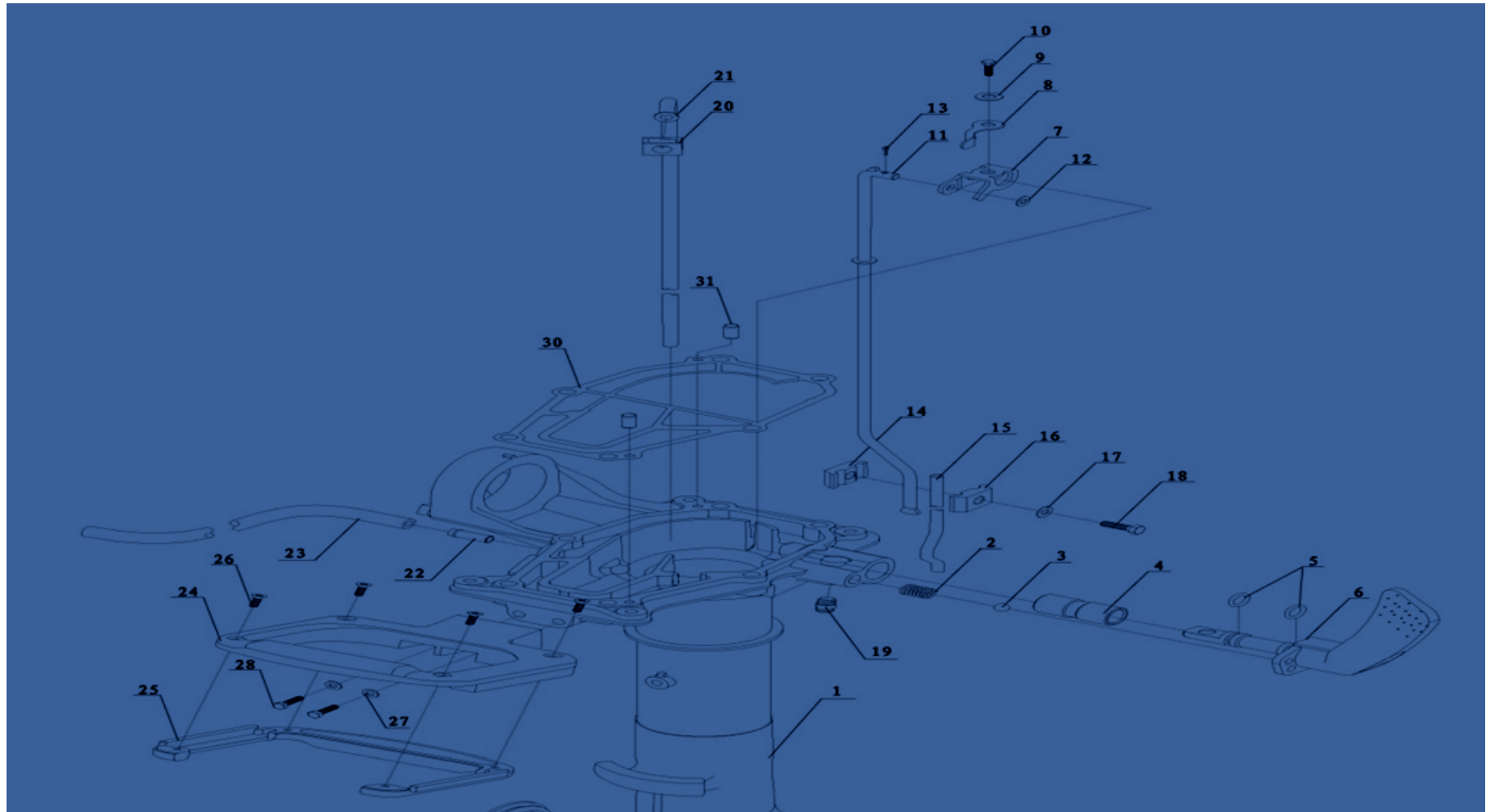


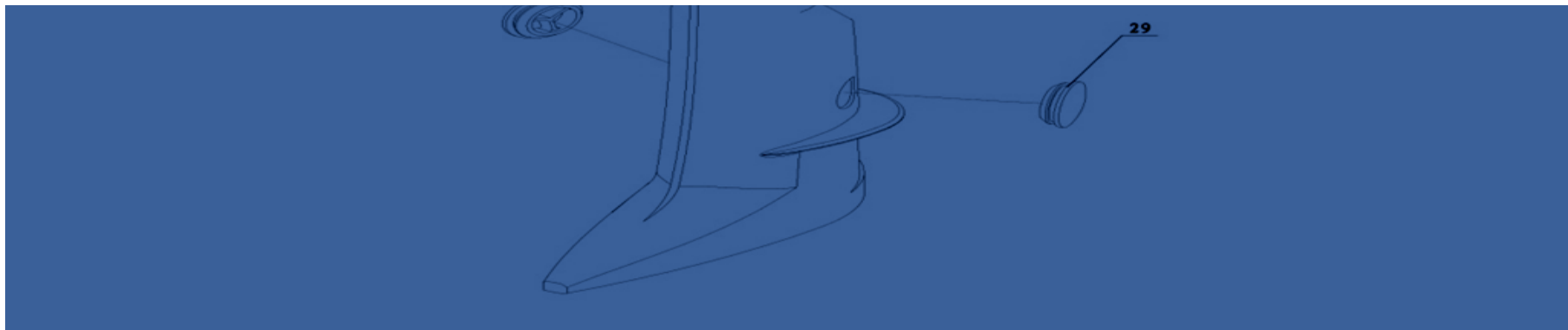
REF NO	PART CODE	DESCRIPTION	Q'TY	REMARK
1	M8*25	hexagon headed bolt M8*25	1	
2	F4-04.03	wheel handle hold-down plate	1	
3	F4-04.04	anti-attribution ring A	1	
4	F4-04.05	gasket A	1	
5	F4-04.01.02.00	handle shocking ring assembly	1	
6	F2.5-05.00.00.02	upper water device shell	1	
7	F4-04.07	gasket B	2	
8	F4-04.08	waterform gasket ring	1	
9	F4-04.06	anti-attribution ring B	1	
10	GB820 M5*25	cross recessed raised countersunk heed screws	1	
11	15F-04.07.14	rubber handle cover	1	
12	15F-04.07.13	handle	1	
13	ST2.2*5	cross recessed pan head tapping screw ST2*6	1	
14	F2.5-04.00.00.04	throttle rating plate	1	
15	GB848 M10	flat plate 10	1	
16	15F-04.07.11	spring	1	
17	15F-04.07.12	bushingblock	1	

18	F2.5-05.00.00.02	wheel handle		1		
19	GB818 M5*12	cross recess head screw 5*12		2		
20	15F-04.07.07	hold-down plate for air damper		1		
21	GB91 M1.6*16	cotter pin		1		
22	15F-04.07.09	resistance adjust knob		1		
23	15F-04.07.08	latch segment		1		
24	15F-04.07.05	throttle lever		1		
25	F2.5-04.00.00.03	TCL throttle control lever tightwire		1		
26	GB818 M5*8	Cross recess head screw 5*8 and flat washer		1		
26	GB848 M5	Cross recess head screw 5*8 and flat washer		1		
27	F2.5-04.00.00.01	plastic baffle		1		

Section 5

UPPER HOUSING

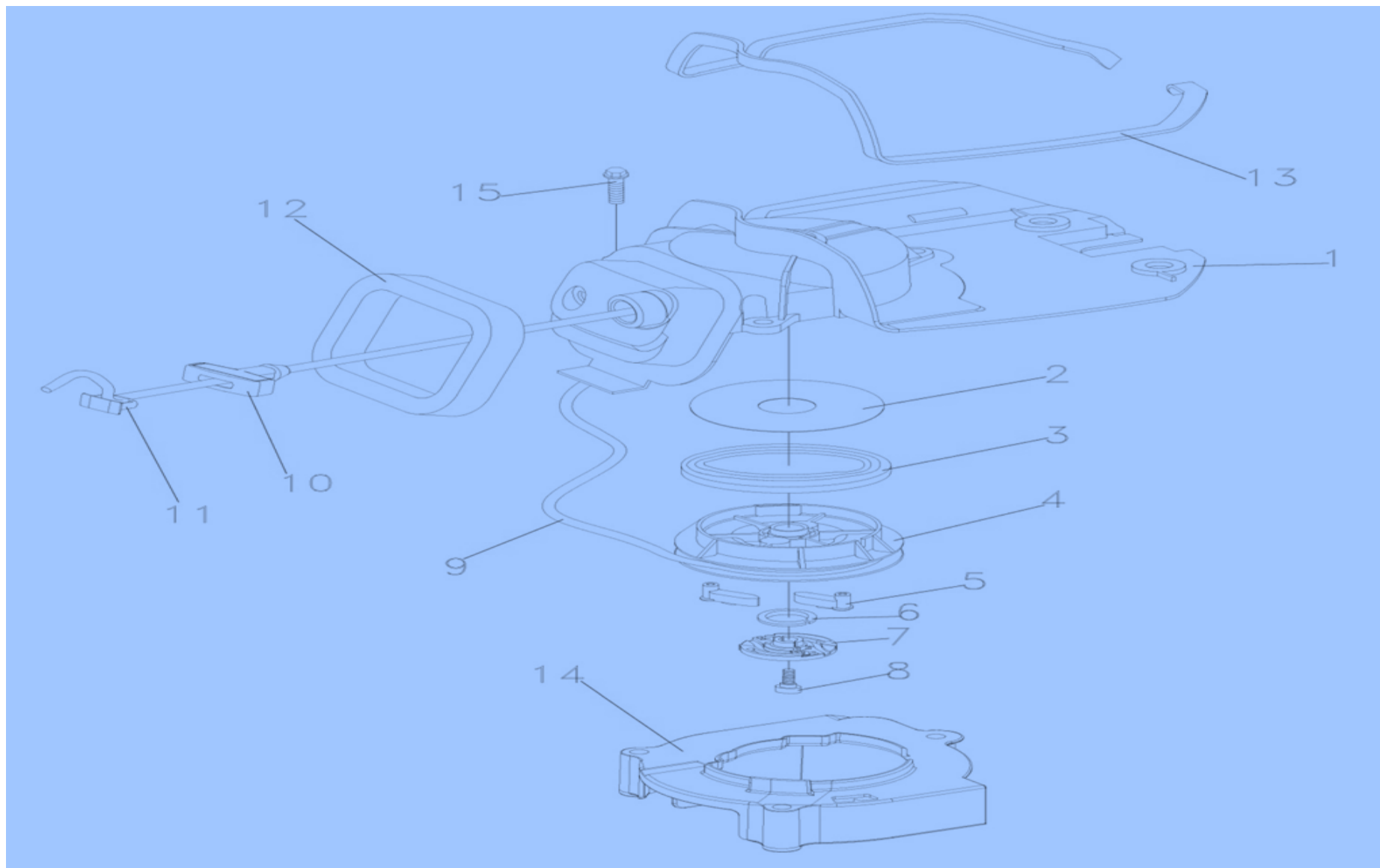




REF NO	PART CODE	DESCRIPTION	QTY		REMARK
1	F2.5-05.00.00.02	upper water body	1		
2	F4-05.04	compressed spring	1		
3		steel ball	1		
4	F4-05.01.02	gears axle sleeve	1		
5	F4-05.02.03	shifting fork O-ring	2		
6	F2.5-05.02.00.00	shift handle assembly	1		
7	F2.5-05.00.00.04	holder for shift connecting rod	1		
8	F2.5-05.00.00.03	holder for shift connecting rod	1		
9	GB848 M5	flat gasket 5	1		
10	GB933 M5*12	hexagon headed bolt 5×12	1		
11	F2.5-05.00.00.05	shift connecting rod	1		
12	GB848 M5	flat gasket 5	1		
13	GB91 M1.6*16	cotter pint	1		
14	F2.5-05.00.00.08	latch segment B	1		
15	F2.5-06.00.00.20	shift cam lever	1		
16	F2.5-05.00.00.07	latch segment A	1		
17	GB96 M6	flat gasket 6×18	1		
18	GB933 M6*20	hexagon headed bolt 6×20	1		
19	GB/T7940.1-95	cut-torough forced filling oil cup M6	1		
20	F4-05.13	upper water pipe sealing ring	1		
21	F2.5-05.00.00.10	water pipe	1		
22	F4-01.06.03	gas-typefitting	1		
23	F2.5-05.00.00.09	exhaust water pipe 5×9×240	1		
24	F2.5-05.01.00.01	handle seat	1		
25	F2.5-05.01.00.02	handle cover	1		
26	M4.2*16	cross recessed countersunk head screw 4.2×13	1		
27	GB848 M6	flast gasket6	2		
28	F4-05.01.04	upper water choke plug	2		
29	F2.5-05.00.00.01	sealing pad of the body	1		

Section 6

STARTER COMPONENTS

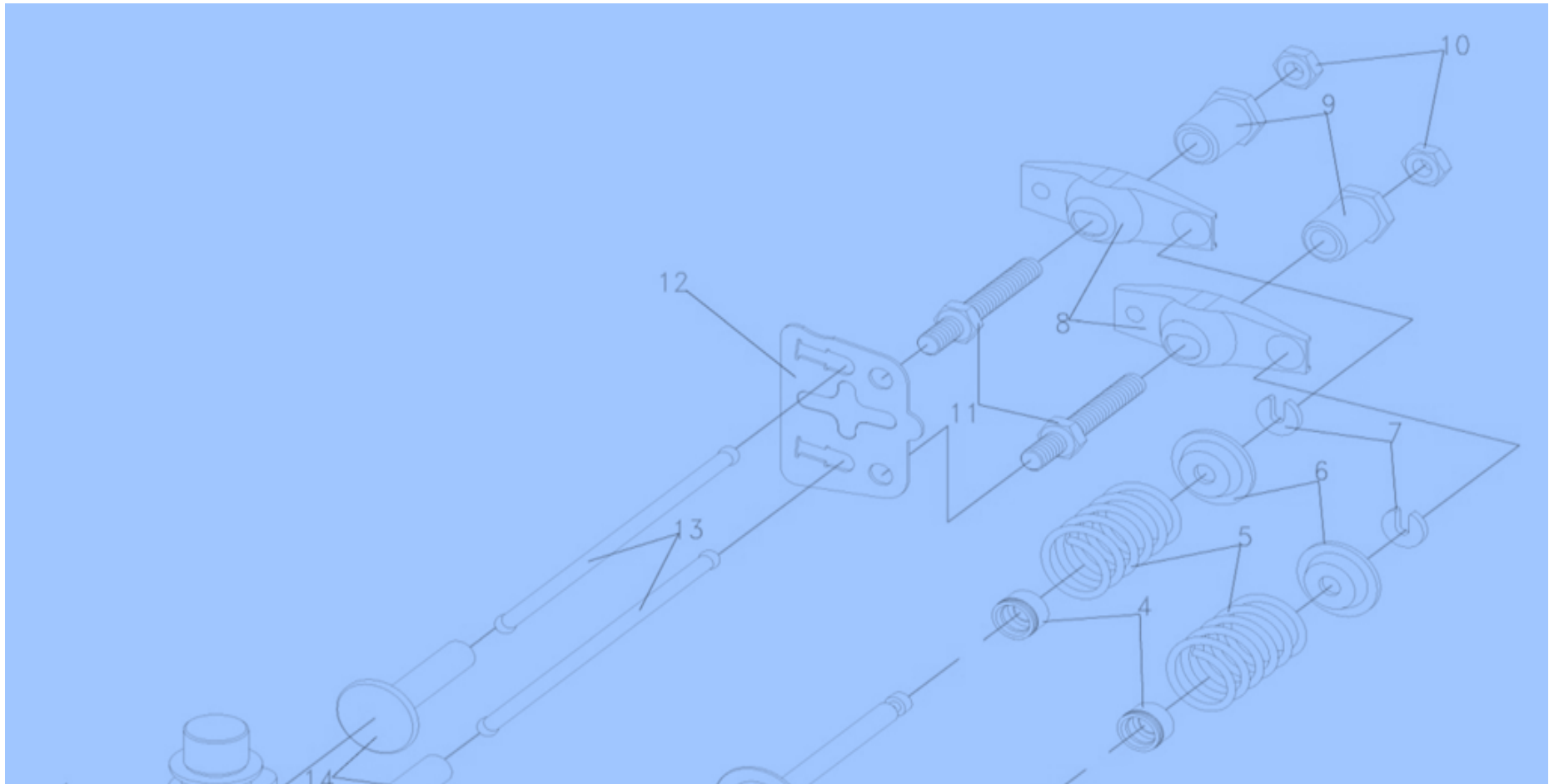


REF NO	PART CODE	DESCRIPTION	Q'TY	REMARK
1	F2.5-01.06.00.03	starting cover outer shell	1	
2	F2.5-01.06.00.11	anti-attribution slice	1	
3	FRF4-01.01.08	volute spring	1	

4	F2.5-01.06.00.14	starting wheel		1		
5	F2.5-01.06.00.10	driving pawl		2		
6	F4-01.01.13	platen jump ring		1		
7	F2.5-01.06.00.09	platen		1		
8	F2.5-01.06.00.17	platen bolt		1		
9	F2.5-01.06.00.13	starting rope		1		
10	FR15FH-01.01.08	starting rope		1		
11	FR15FH-01.01.10	handle cap		1		
12	F2.5-01.06.00.01	damping harness		1		
13	F2.5-01.06.00.02	damping strip		1		
14	F2.5-01.06.00.15	bracket for starting cover		1		
15	GB933 M6*60	hexagon headed bolt M6*60		3		

Section 7

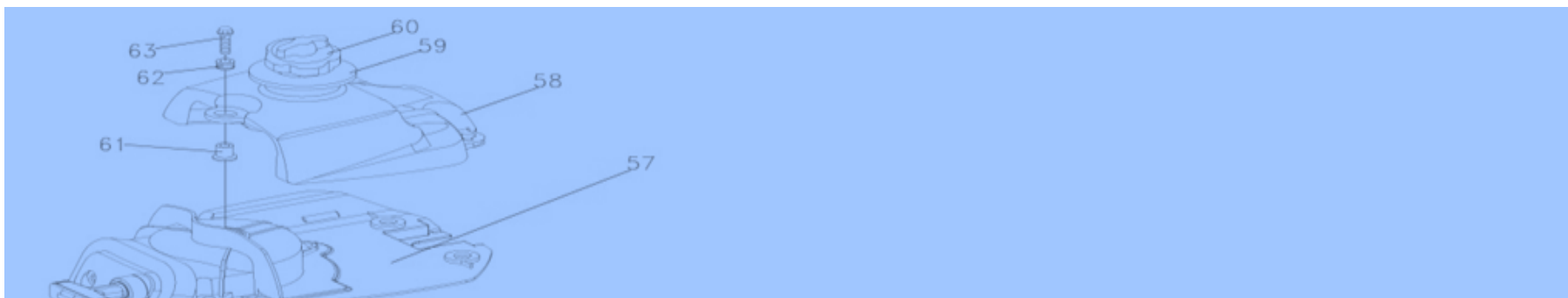
VALVE TRAIN

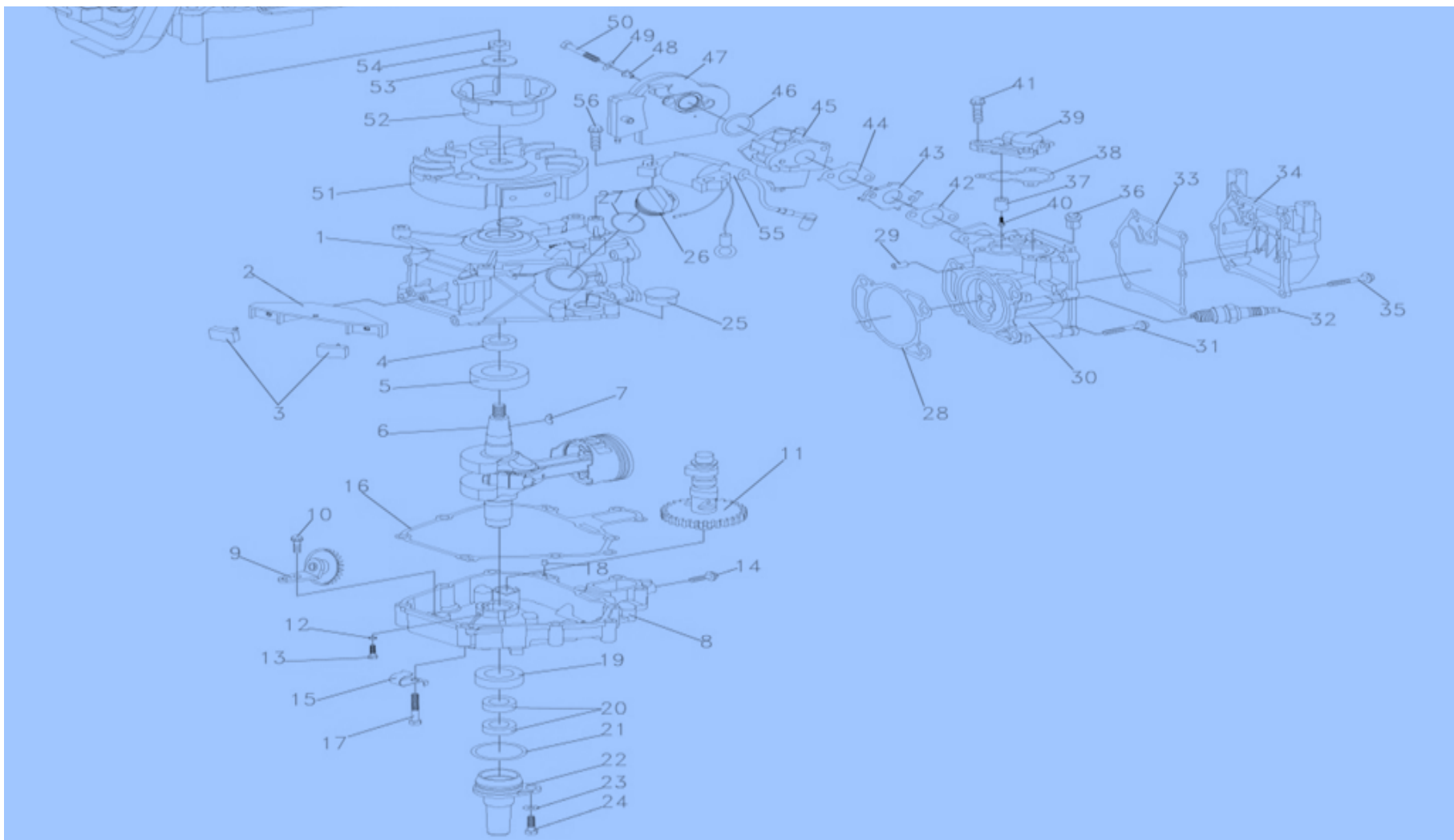




REF NO	PART CODE	DESCRIPTION	Q'TY	REMARK
1	F2.5-01.03.02.00	camshaft assembly	1	
2	FRF4-01.06.33.05	intake valve	1	
3	FRF4-01.06.33.06	exhaust valve	1	
4	FRF4-01.06.33.09	valve oil seal	2	
5	FRF4-01.06.33.07	valve spring	2	
6	FRF4-01.06.33.11	valve spring seat	2	
7	FRF4-01.06.33.10	valve lock clamp	2	
8	FRF4-01.06.33.14	rocker arm	2	
9	FRF4-01.06.33.16	rockarm ball seat	2	
10	FRF4-01.06.33.15	hexagon nut	2	
11	FRF4-01.06.33.13	rockarm bolt	2	
12	F2.5-01.03.00.05	guide plate	1	
13	F2.5-01.03.00.07	valve push rod	2	
14	FRF4-01.06.24	valve tappet	2	

Section 8 **POWER HEAD**





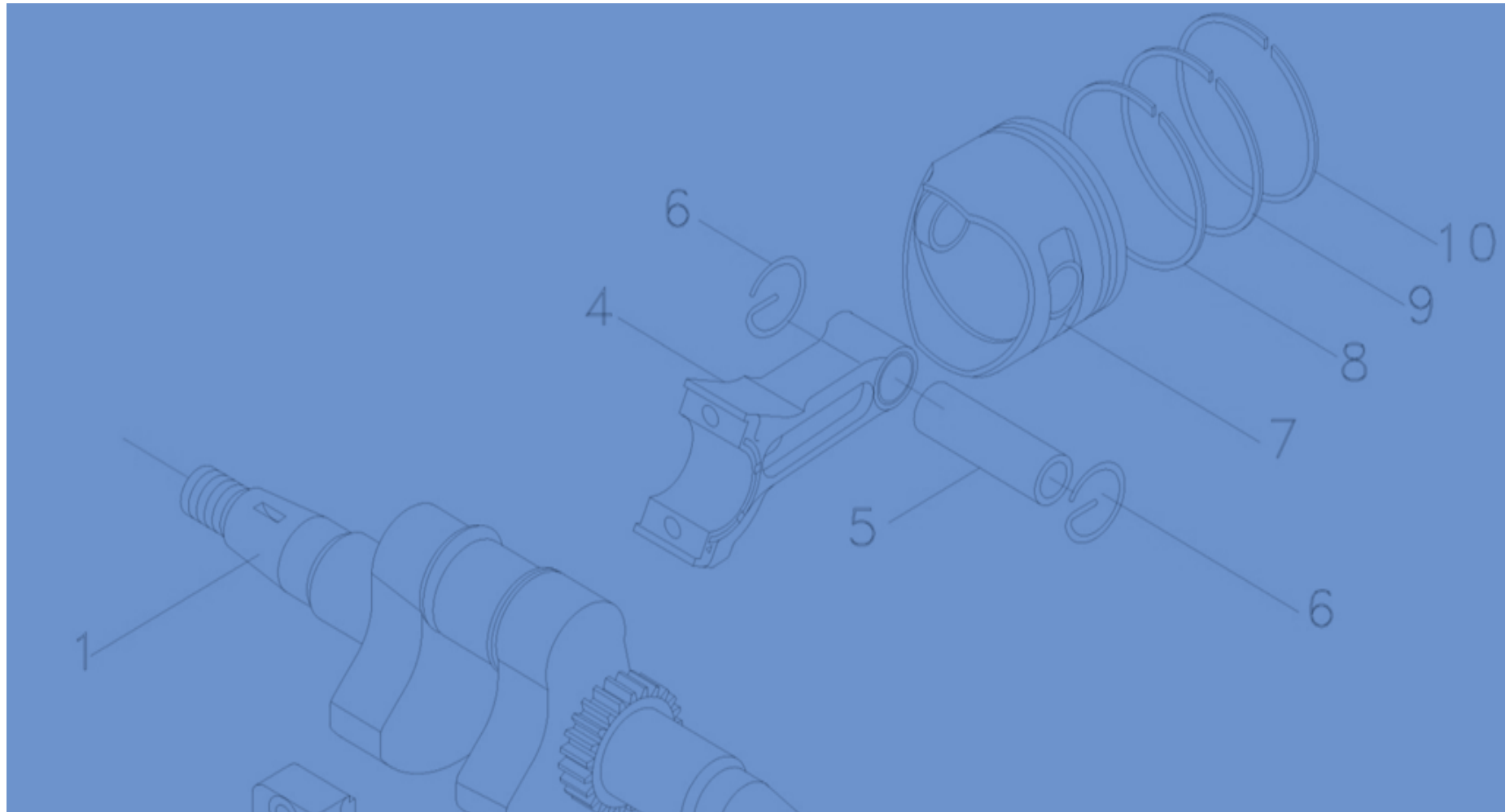
REF NO	PART CODE	DESCRIPTION	QTY		REMARK
1	F2.5-01.01.00.15	tank body	1		
2	F2.5-02.00.00.12	carriage of front bottom case	1		
3	F2.5-02.00.00.13	buffer	2		
4	FRF4H-01.06.15.02	crankshaft oil seal	1		
5	F2.5-06.00.00.07	axletree	1		
6	F2.5-01.02.00.00	crankshaft&connecting assembly	1		
7	FRF4H-01.06.19	woodruff key	1		
8	F2.5-01.01.00.09	tank cover	1		
9	F2.5-01.01.02.00	oilgear assembly	1		
10	GB933 M6*12	hexagon flange bolts M6×12	1		
10	GB848 M6	hexagon flange bolts M6×12	1		

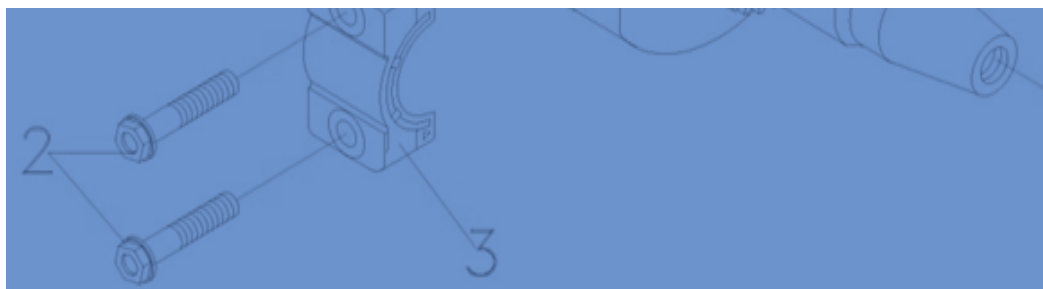
11	F2.5-01.03.02.00	camshaft assembly		1		
12	15F-06.01.04	aluminium backing		1		
13	F2.5-01.01.00.02	ablassschraube M8×20		1		
14	M8*15	hexagon headed bolt M8×15		1		
15	F15-01.03.00.42	air pipe bench holdfast B		1		
16	F2.5-01.01.00.08	sealing pad		1		
17	GB933 M6*45	hexagon headed bolt M6×45		1		
18	15F-06.03.08	stop pin		2		
19	F4-01.06.15.02	big oil seal		1		
20	F2.5-01.01.00.06	small oil seal		2		
21	FRF4-01.06.15.04	O-RING		2		
22	F2.5-01.01.00.05	oil seal body		1		
23	GB848-85	flat gasket 8		1		
24	M8*20	hexagon headed bolt M8×20		1		
25	F2.5-01.01.01.00	engine oil sightglass assembly		1		
26	F15-01.03.00.39	oil inlet bolt		1		
27	FRF4H-01.06.27	oil inlet sealing ring		1		
28	F2.5-01.03.01.00	cylinder ring assembly		1		
29	15F-06.03.08	stop pin		2		
30	F2.5-01.01.00.11	tank body		1		
31	M8*60	hexagon flange bolts M8×60		4		
32	15F-01.06.17	spark plug		1		
33	F2.5-01.03.00.02	cylinder cover gasket		1		
34	F2.5-01.03.00.01	cylinder cap		1		
35	GB5789 M6*16	hexagon flange bolts M6×16		6		
36	FRF15H-01.06.14	thermostat		1		
37	FRF4H-01.06.30	anode A		1		
38	FRF4H-01.06.28	thermostat sealing pad		1		
39	F2.5-01.03.00.03	thermostat cap		1		
40	GB818 M5*25	cross recess head screw M5×25		1		
41	GB933 M6*20	hexagon headed bolt M6×20		3		
42	F2.5-01.04.02.08	carburetor gasket(outlet)		1		
43	F2.5-01.04.02.09	thermal baffle		1		
44	F2.5-01.04.02.10	carburetor gasket(inlet)		1		
45	F2.5-01.04.02.00	carburetor assembly		1		
46	F2.5-01.04.00.01	O-ring of air cleaner		1		
47	F2.5-01.04.03.00	air cleaner assembly		1		
48	F2.5-01.04.00.02	tube		2		
49	GB848 M6	flat gasket 6		2		
50	GB933 M6*75	hexagon headed bolt M6×75		2		
51	F2.5-01.05.01.00	flywheel assembly		1		
52	F2.5-01.06.00.18	starting pulley		1		

53	F4-01.06.38	flat gasket		1		
54	F4-01.06.37	fly wheel nut		1		
55	F2.5-01.05.02.00	igniter assembly		1		
56	GB5789 M6*25	hexagon flange bolts M6×25		2		
57	F2.5-01.06.00.00	start cover assembly		1		
58	F2.5-01.04.01.02	fuel tank		1		
60	FRF4H-01.07.02.00	fuel tank cover assembly		1		
59	FRF4-01.07.01.03	reservoirport ring shock absorber		1		
61	F2.5-01.04.01.05	fuel tank pad pipe		3		
62	F2.5-01.04.01.04	shock pad for fuel tank		3		
63	GB933 M6*35	hexagon headed bolt M6×35		3		

Section 9

CRANKSHAFT ASSEMBLY





REF NO	PART CODE	DESCRIPTION		Q'TY			REMARK
1	F2.5-01.02.01.00	crankshaft assembly		1			
2	F2.5-01.02.02.03	hexagon flange bolts		2			
3	F2.5-01.02.02.02	connecting rod cap		1			
4	F2.5-01.02.02.01	connecting rod shank		1			
5	F2.5-01.02.00.02	piston pin		1			
6	F2.5-01.02.00.03	piston pin clamping spring		2			
7	F2.5-01.02.00.01	piston		1			
8	F2.5-01.02.00.07	oil ring		1			
9	F2.5-01.02.00.05	vice air-ring		1			
10	F2.5-01.02.00.04	main air-ring		1			